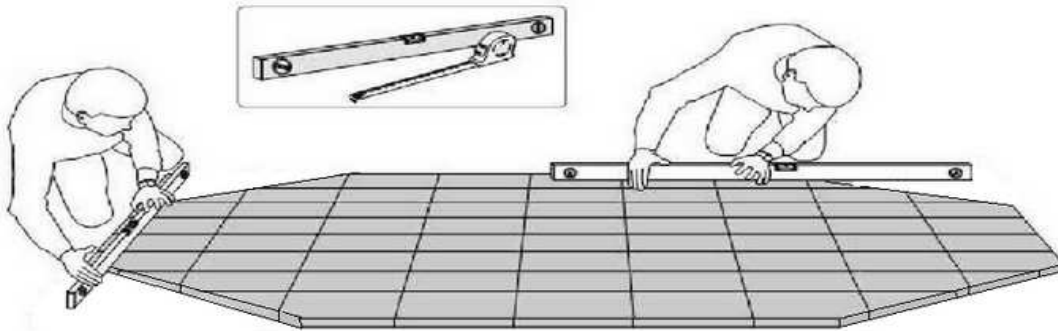


Grillkota 12 m²

Montageanleitung * Assembly instruction

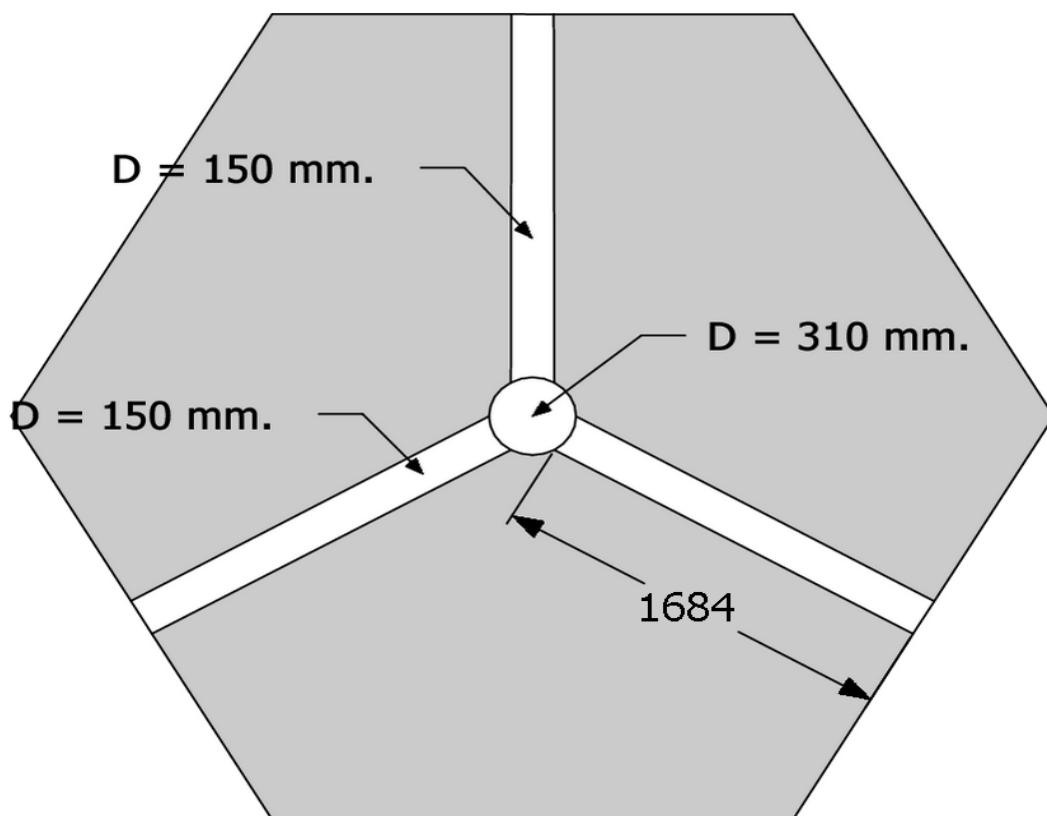
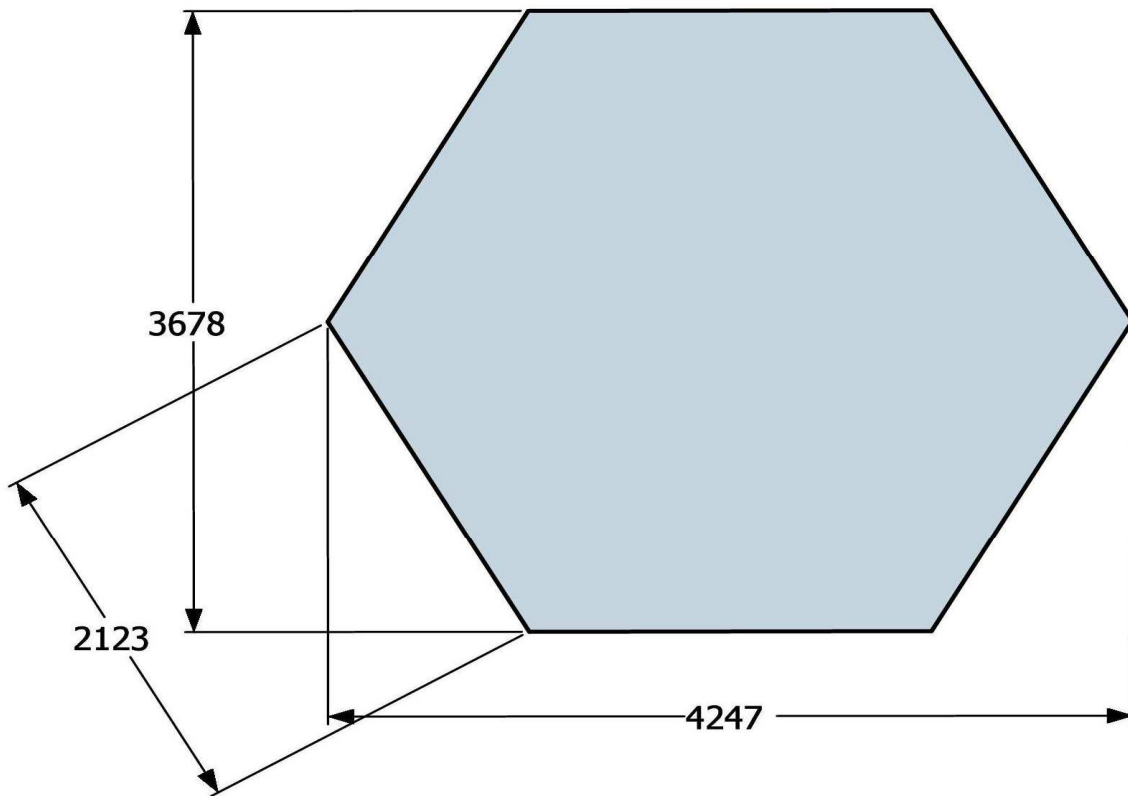
Important !
Wichtig !



Grillkota 12 m²

Montageanleitung * Assembly instruction

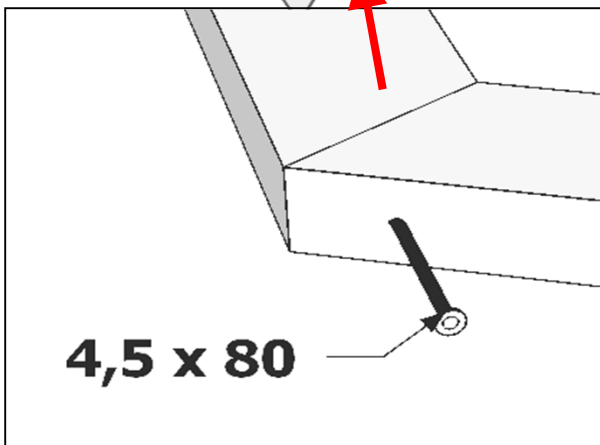
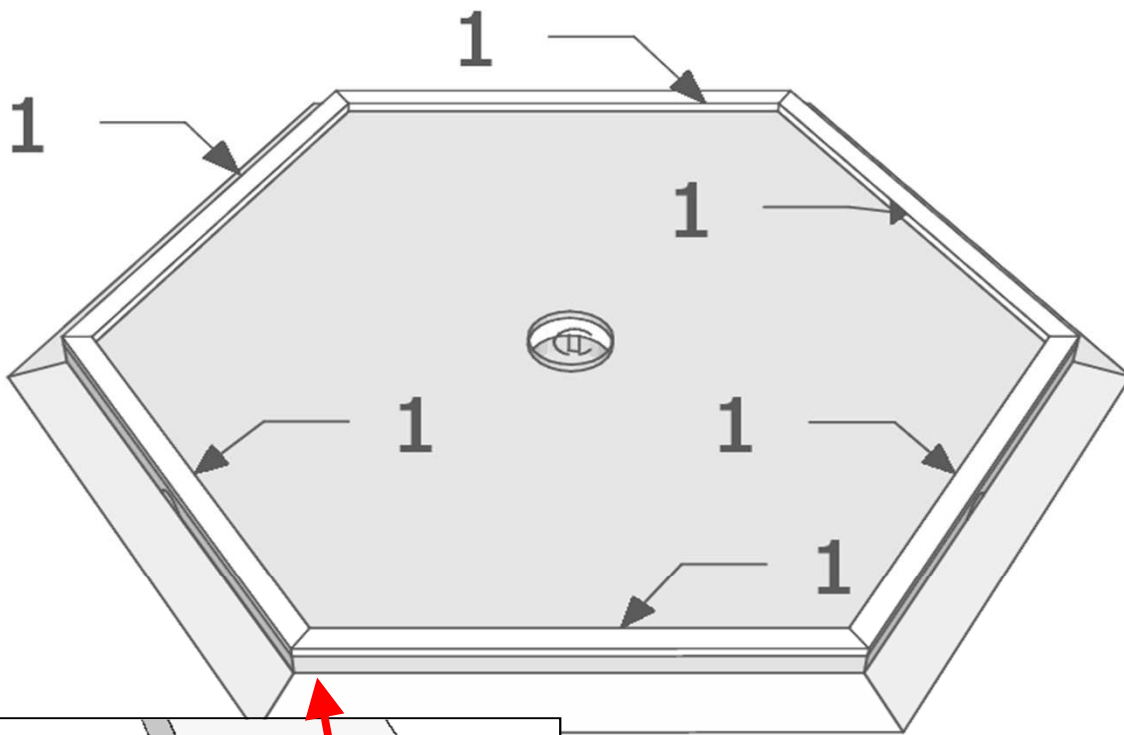
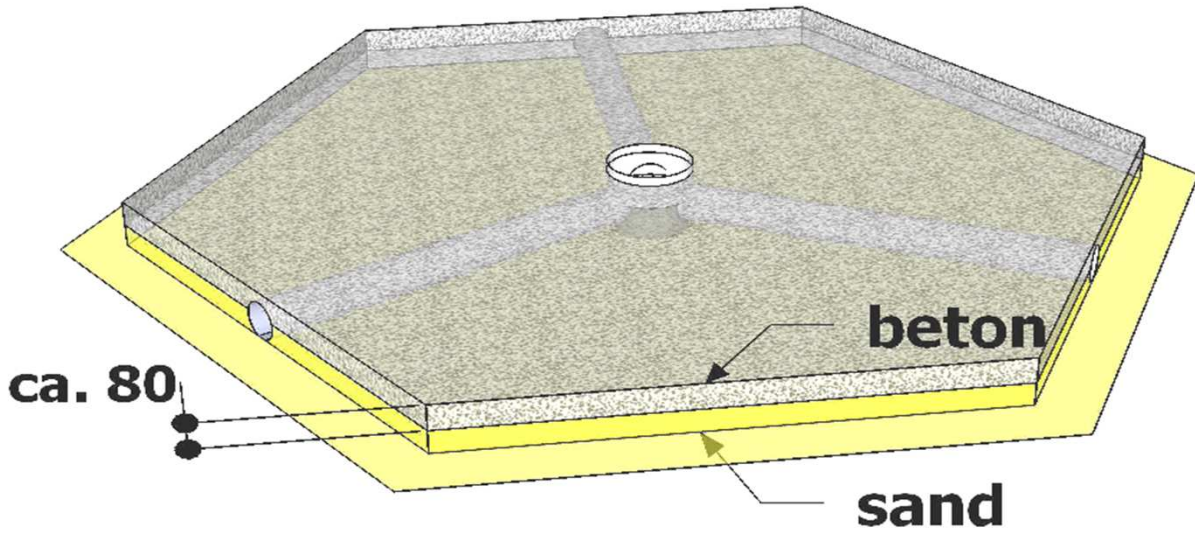
1/24



Grillkota 12 m2

Montageanleitung * Assembly instruction

2/24



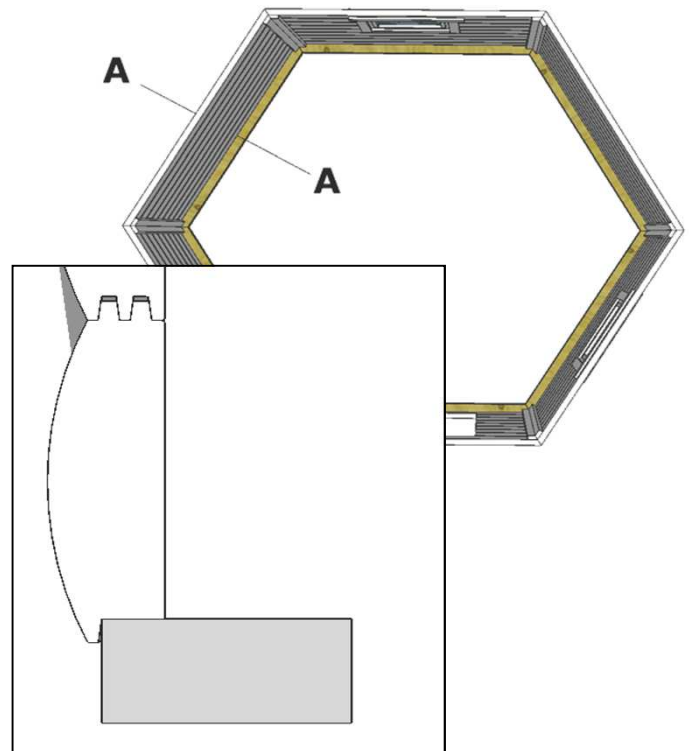
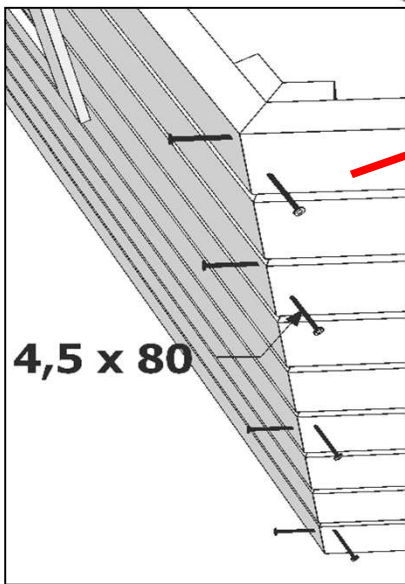
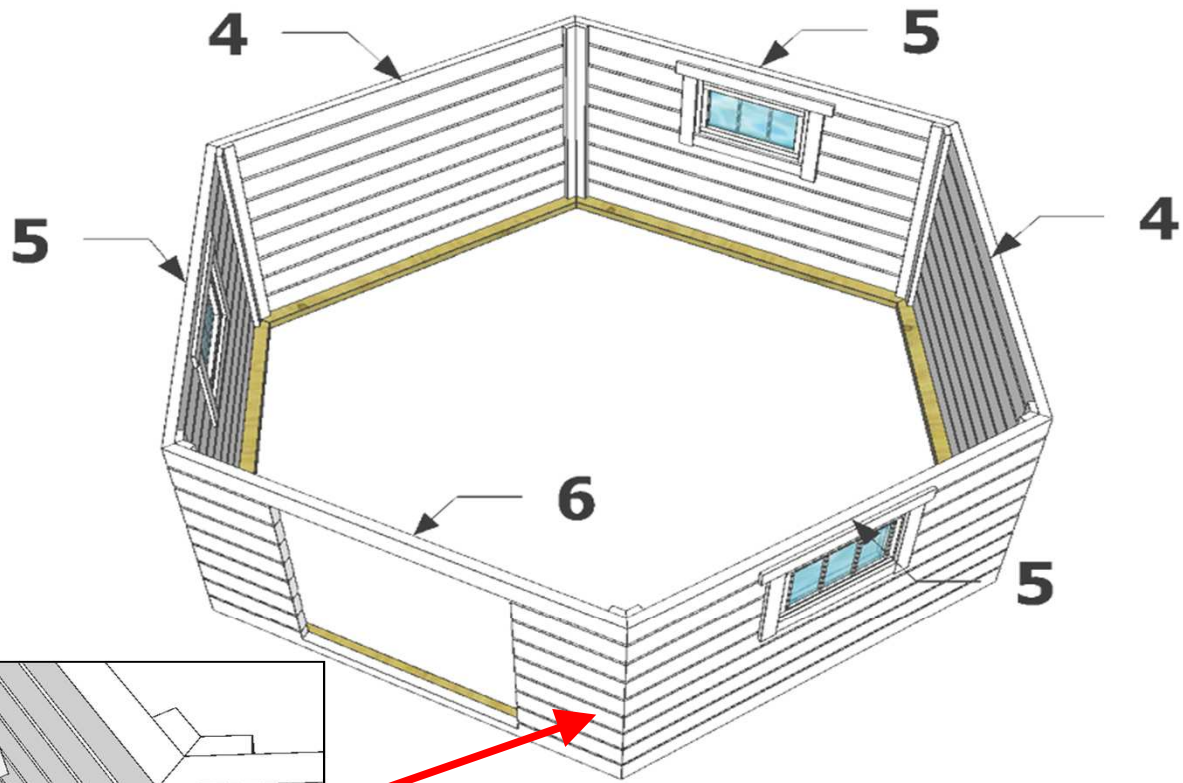
1 + **1**

4,5 x 80	6
-----------------	----------

Grillkota 12 m2

Montageanleitung * Assembly instruction

3/24



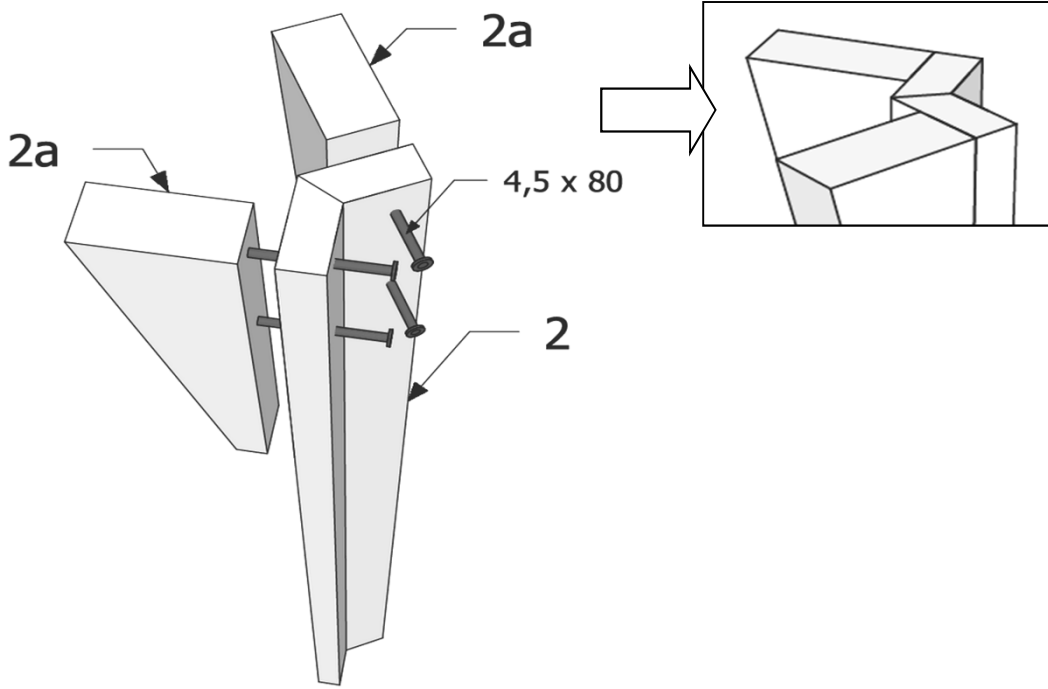
4 + **5** + **6**

4,5 x 80	48
-----------------	-----------

Grillkota 12 m2

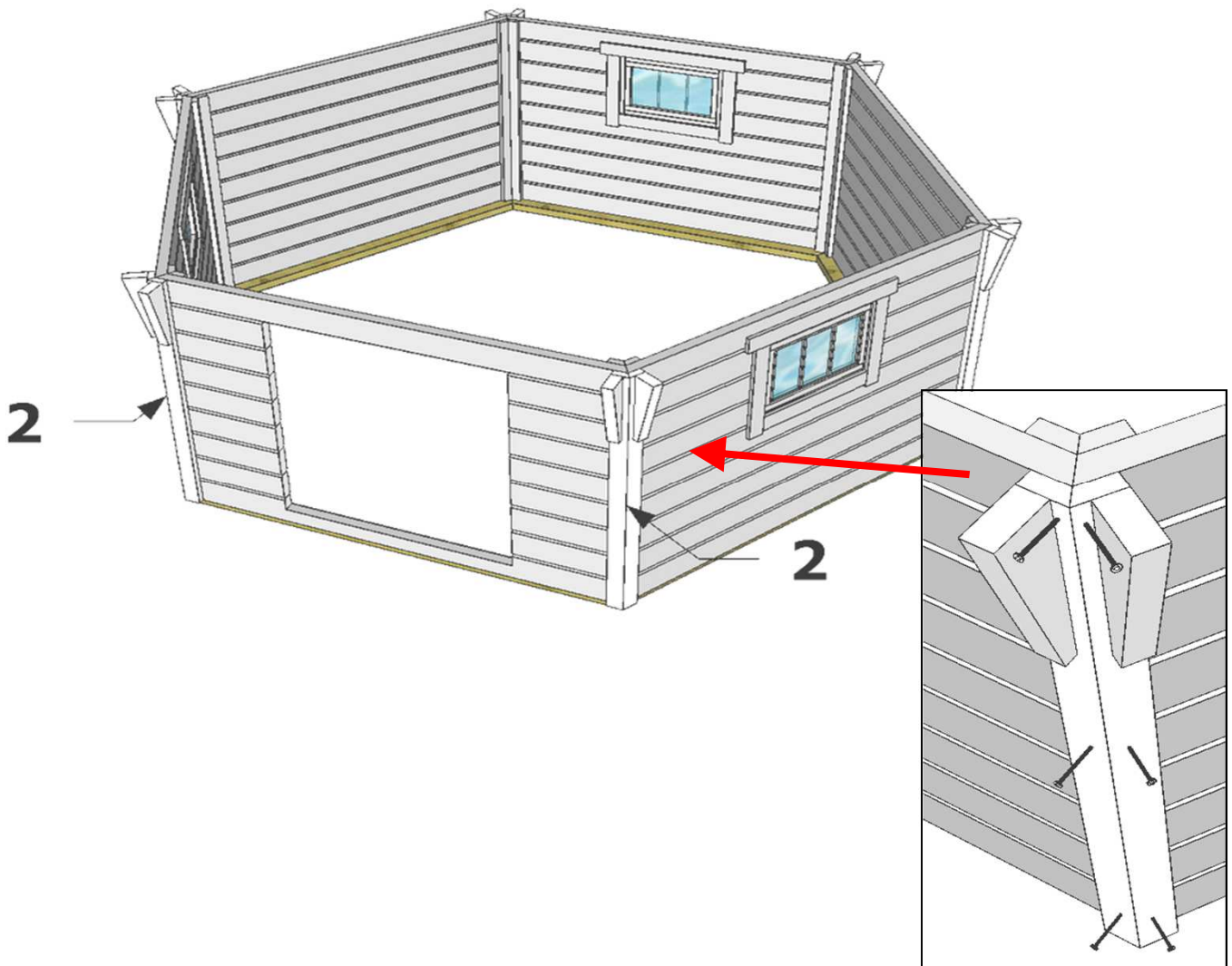
Montageanleitung * Assembly instruction

4/24



2a + **2**

4,5 x 80	24
-----------------	-----------



+ **2**

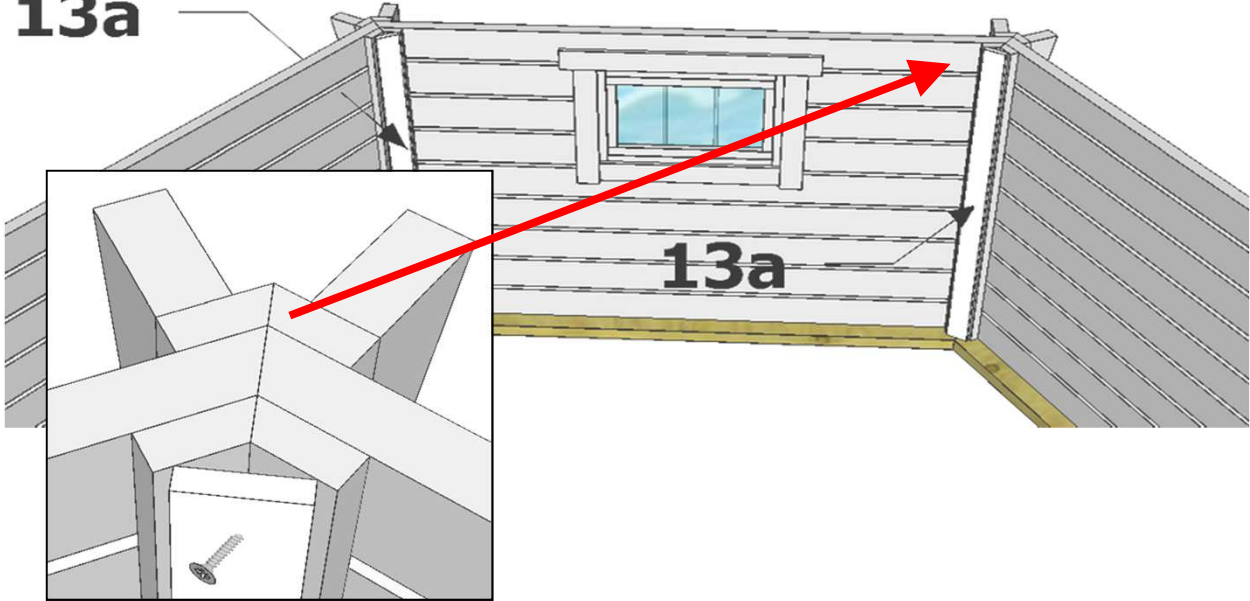
4,5 x 80	36
-----------------	-----------

Grillkota 12 m2

Montageanleitung * Assembly instruction

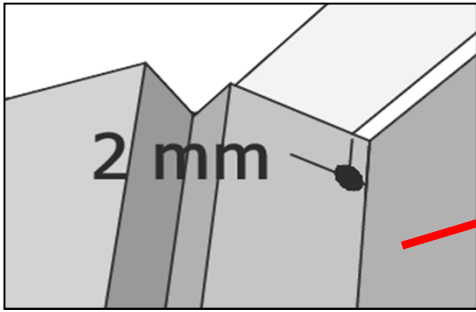
5/24

13a

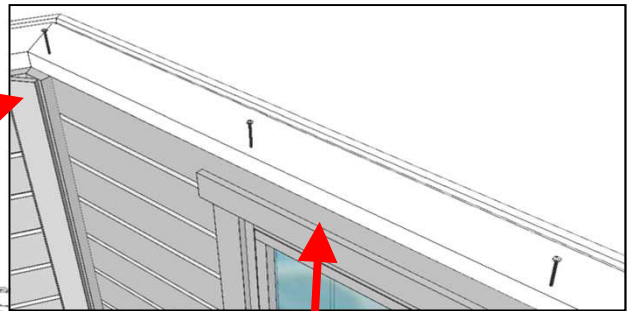


+ 13a

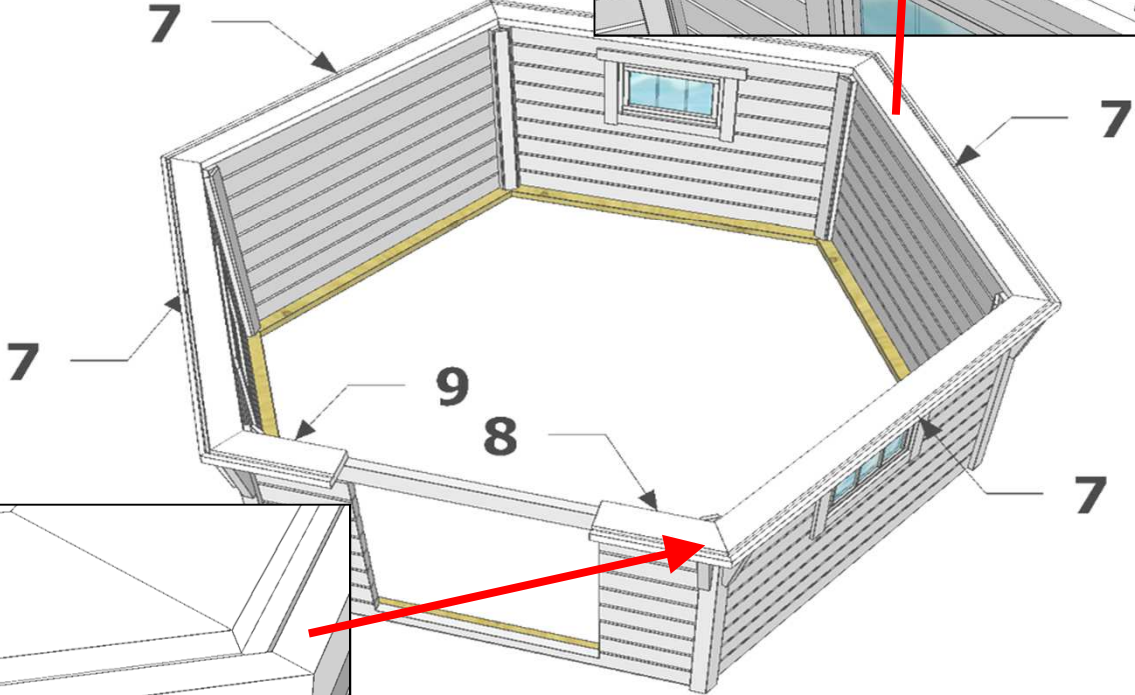
3,5 x 50	24
----------	----



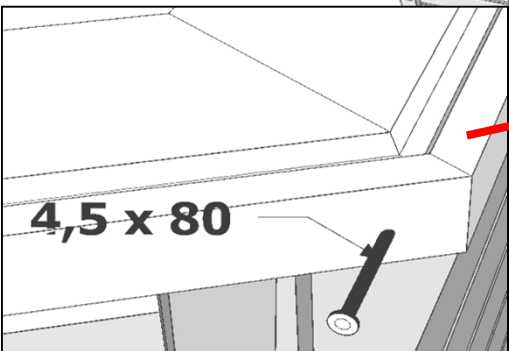
II



7



I



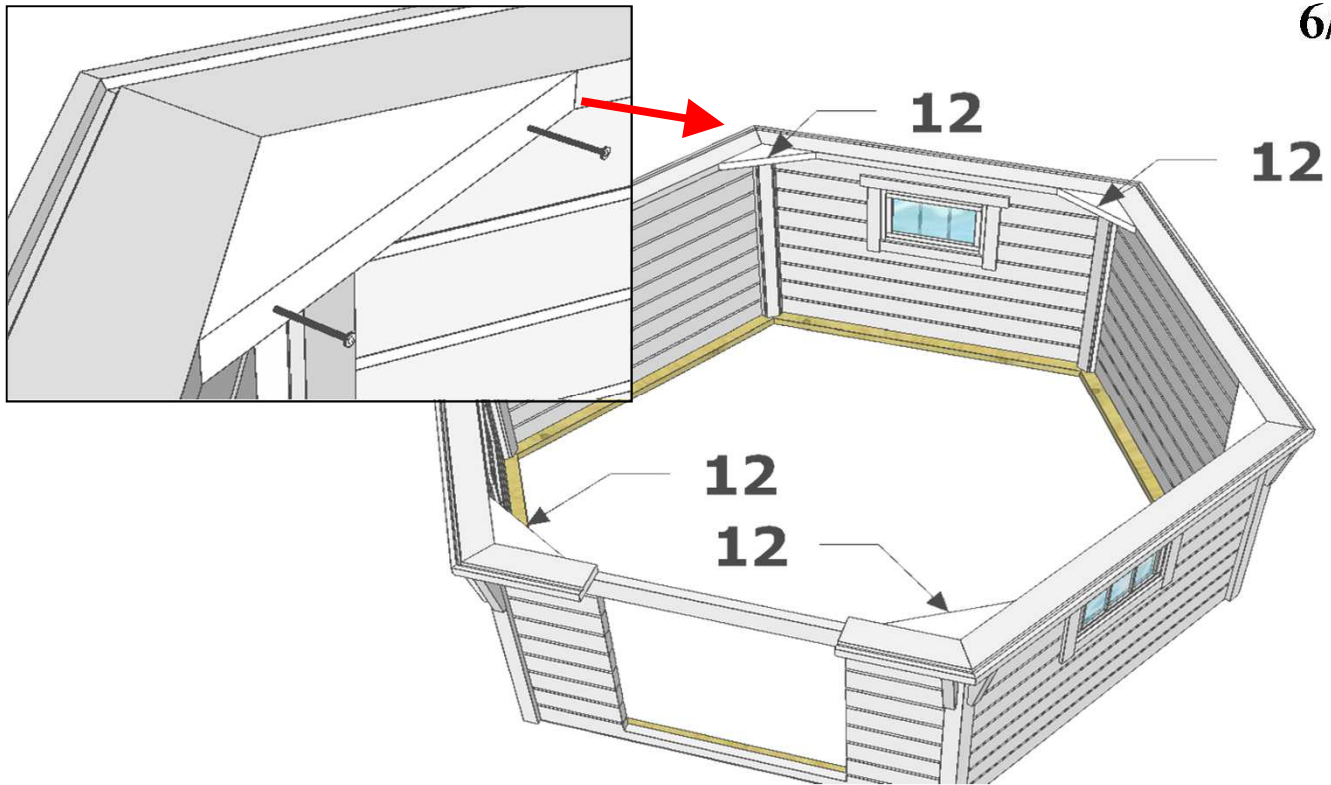
+ 7
+ 8
+ 9

4,5 x 80	36
----------	----

Grillkota 12 m2

Montageanleitung * Assembly instruction

6/24

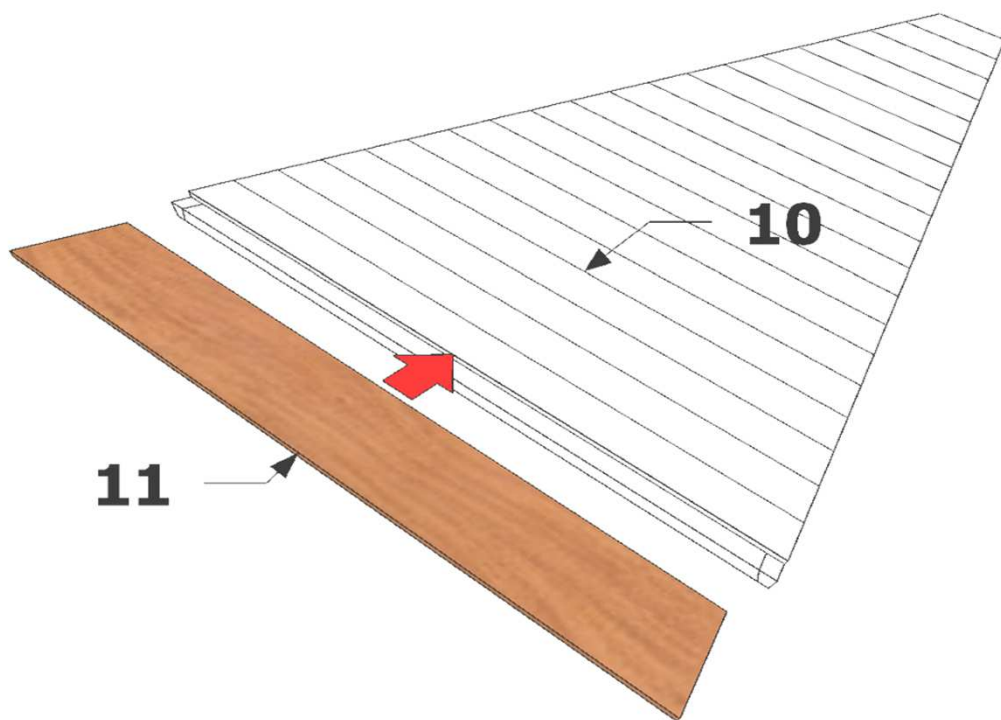


+

7

4,5 x 80

12



11

+

10

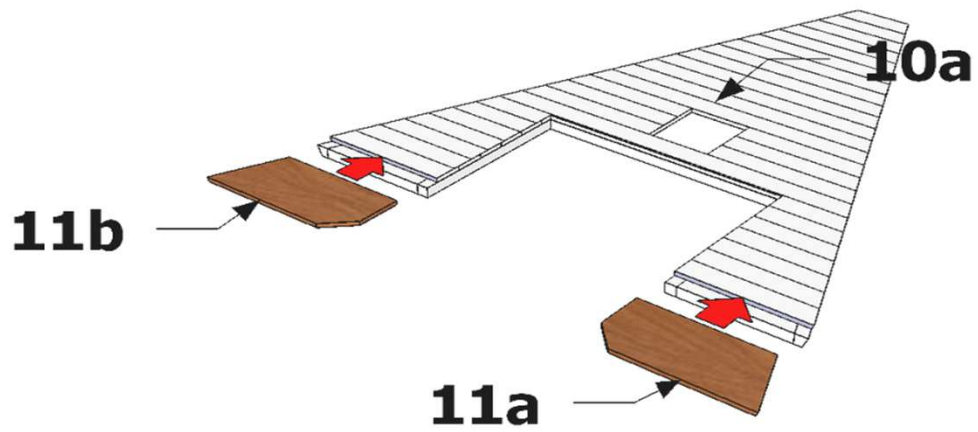
4 x 50

30

Grillkota 12 m2

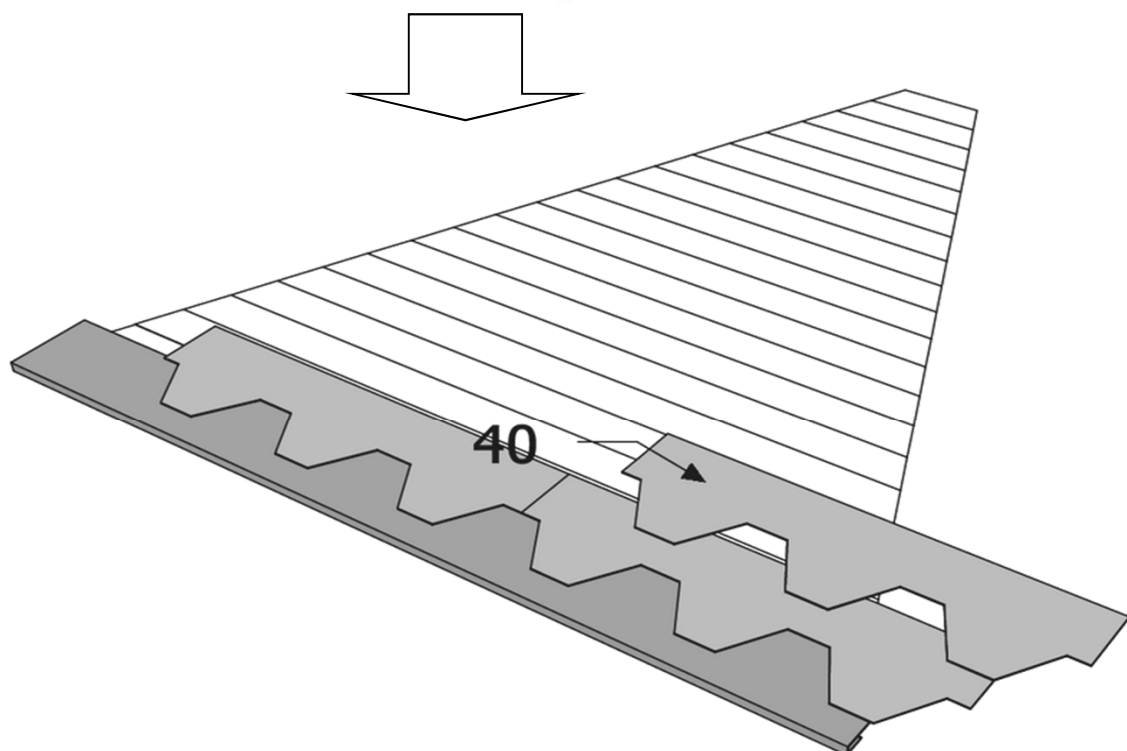
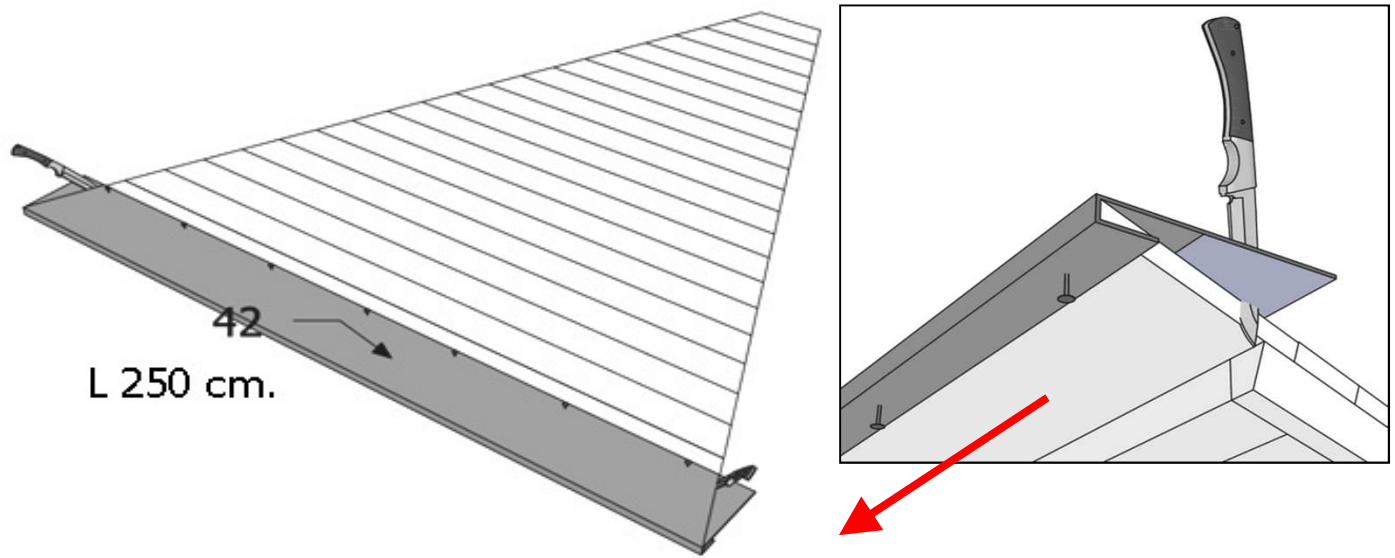
Montageanleitung * Assembly instruction

7/24



11a 11b + 10a

4 x 50	6
--------	---



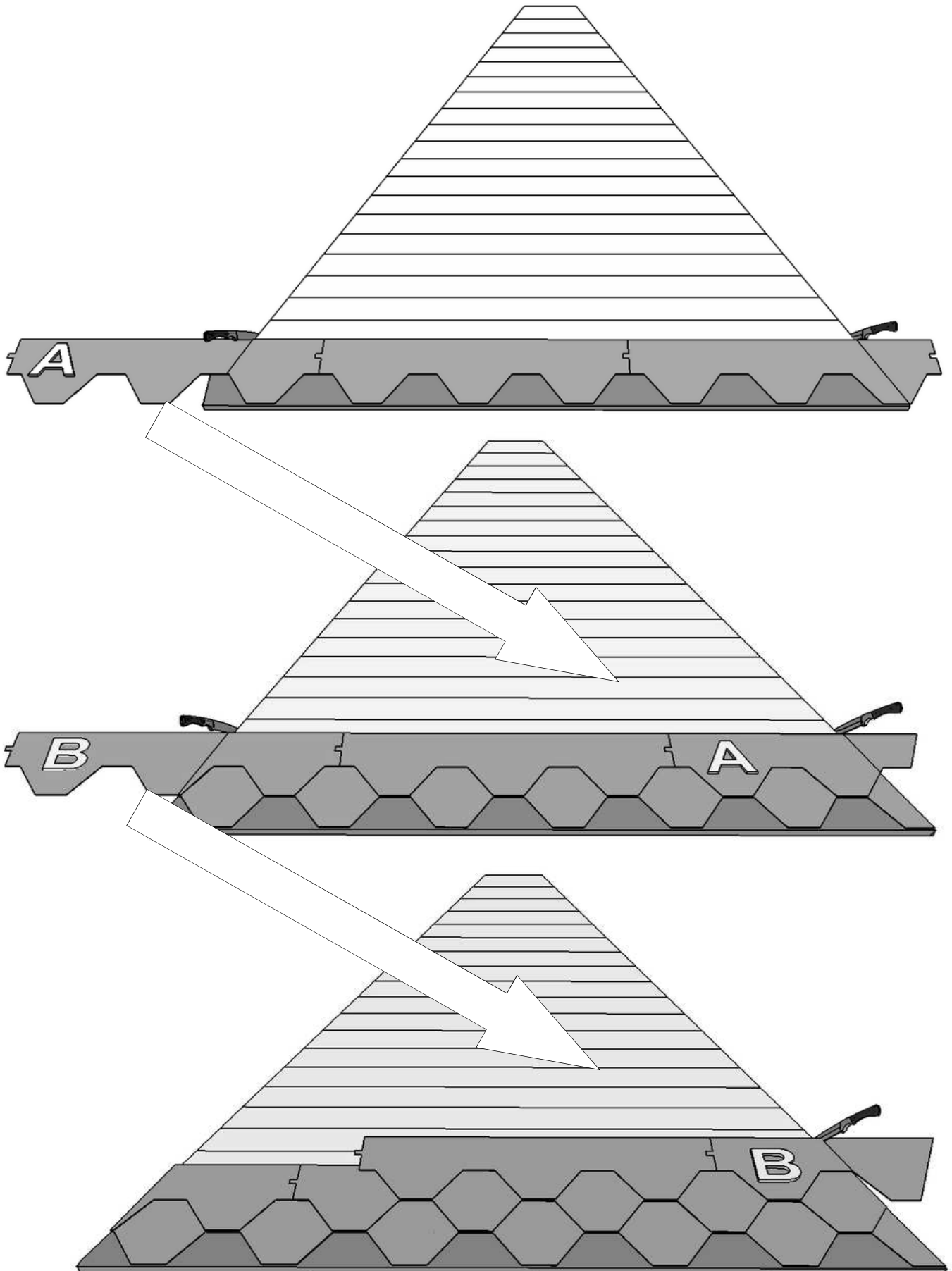
Grillkota 12 m2

Montageanleitung * Assembly instruction

Important !

7a/24

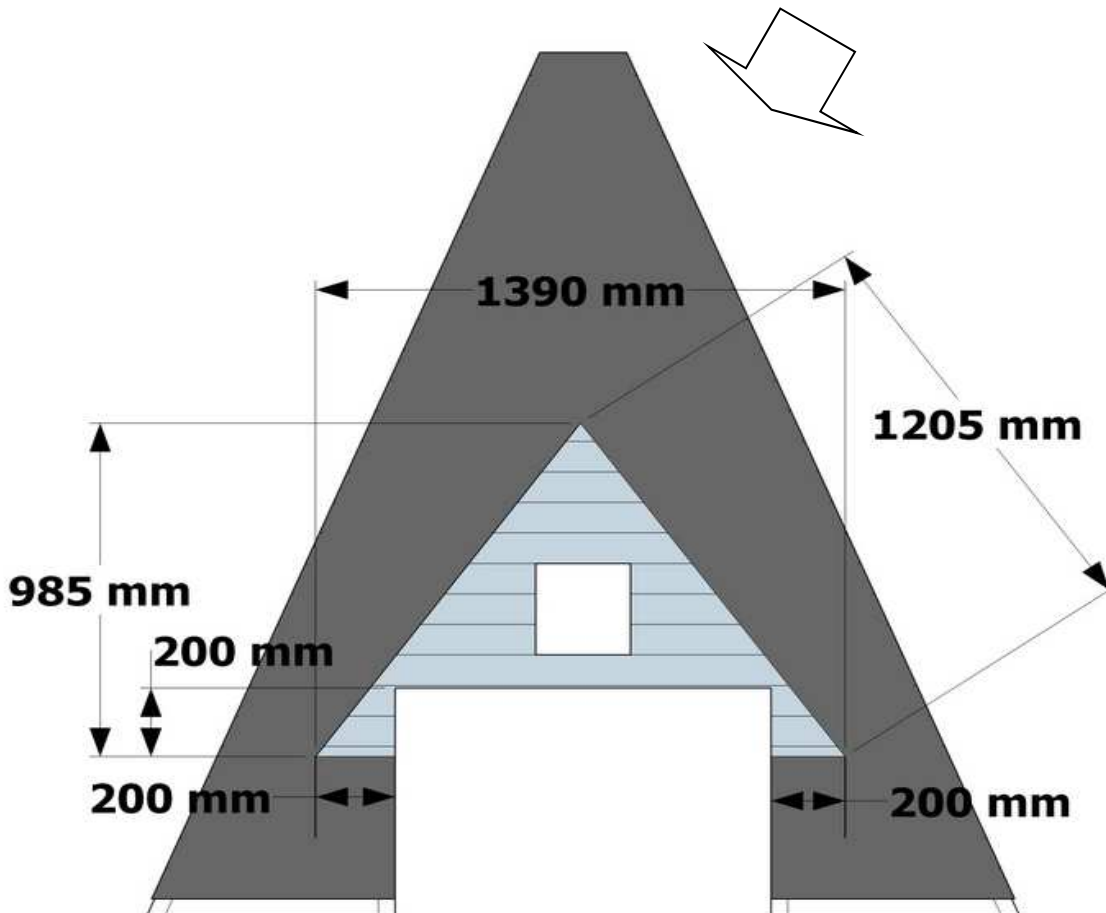
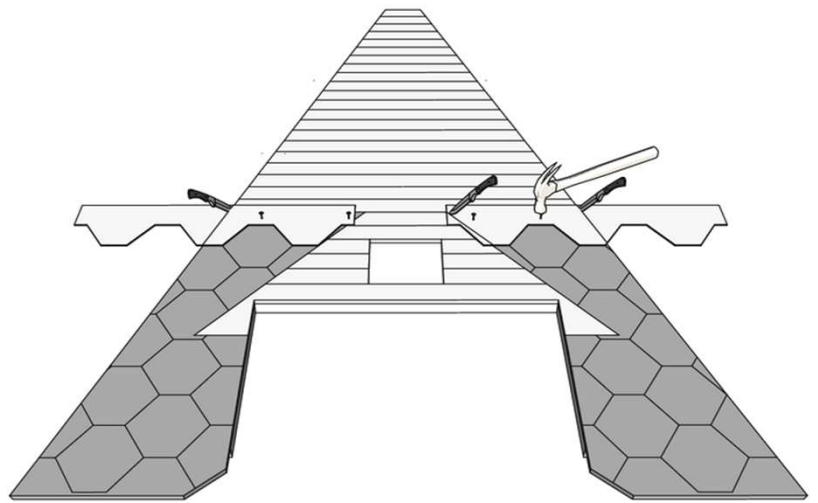
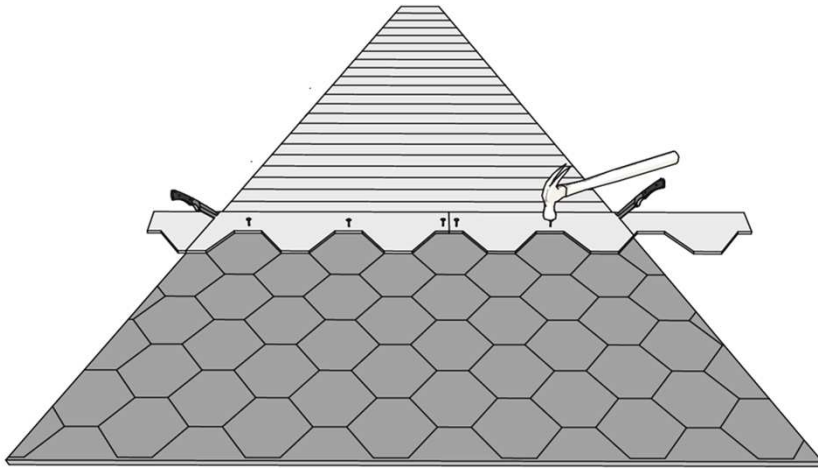
Wichtig !



Grillkota 12 m²

Montageanleitung * Assembly instruction

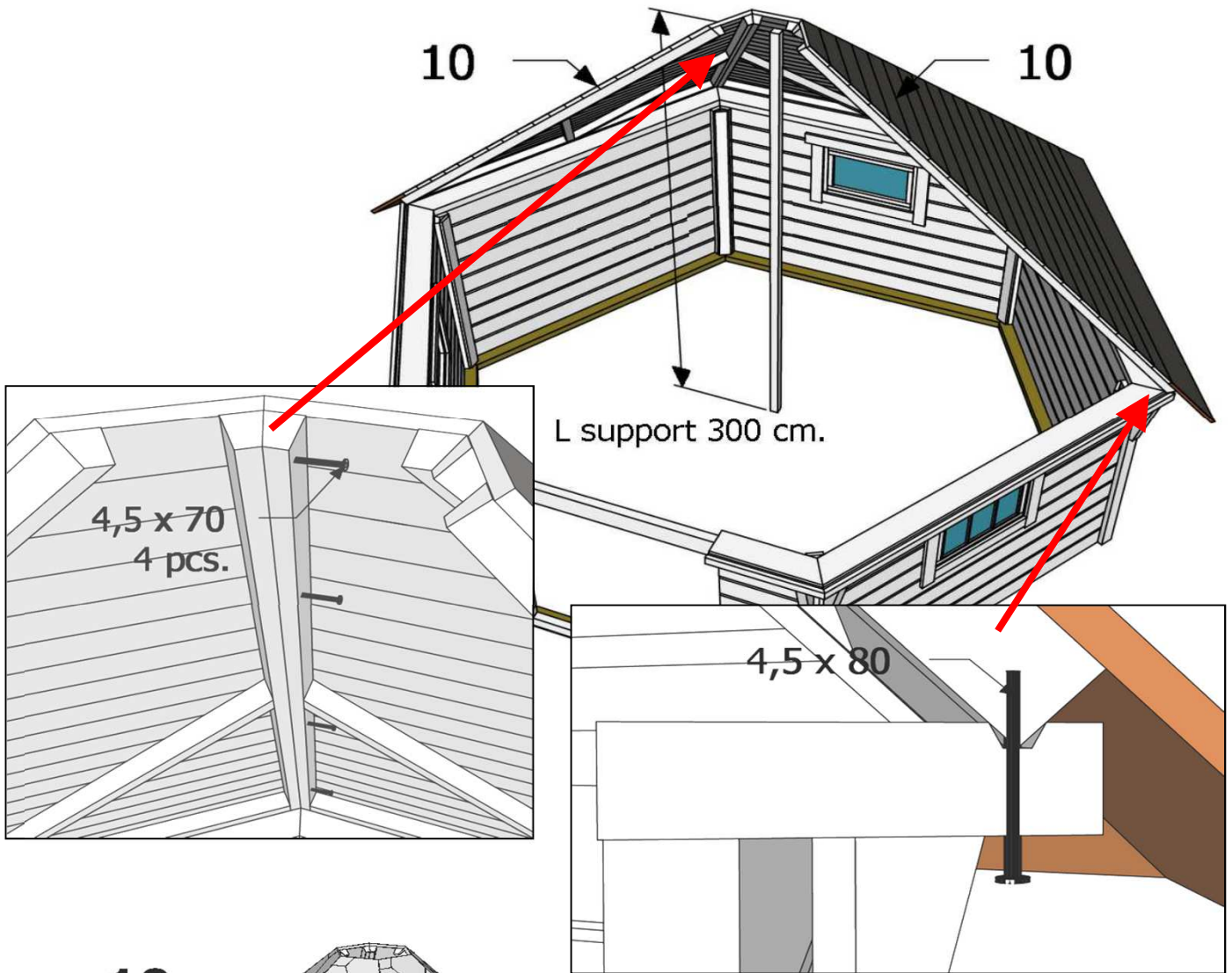
8/24



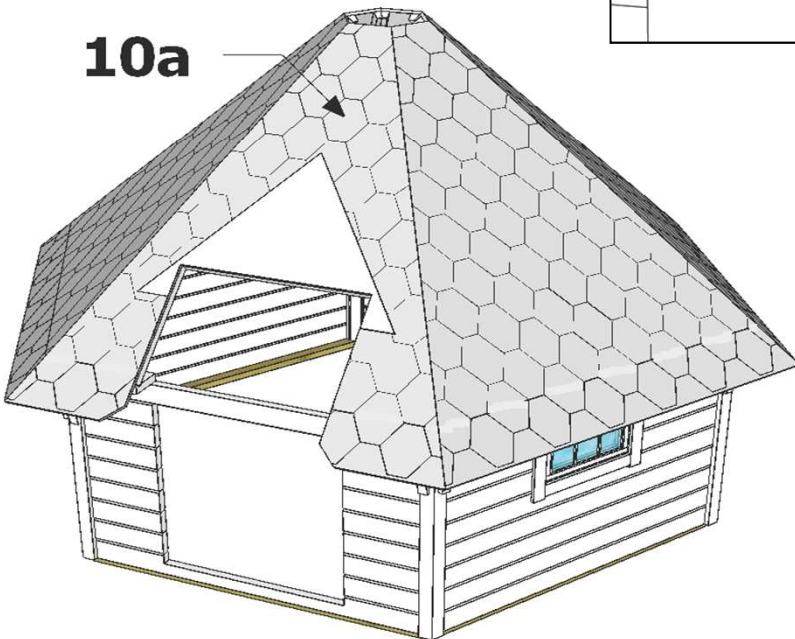
Grillkota 12 m2

Montageanleitung * Assembly instruction

9/24



10a

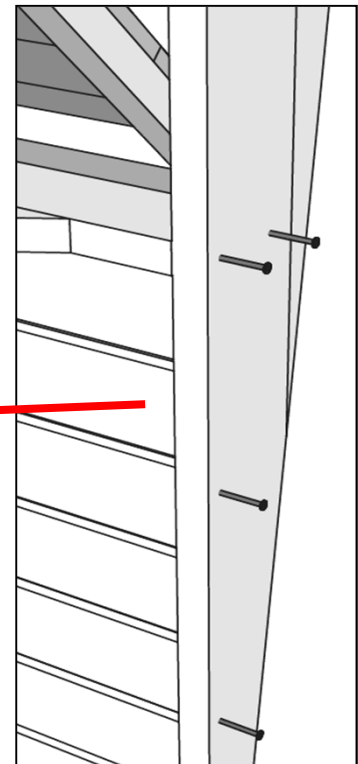
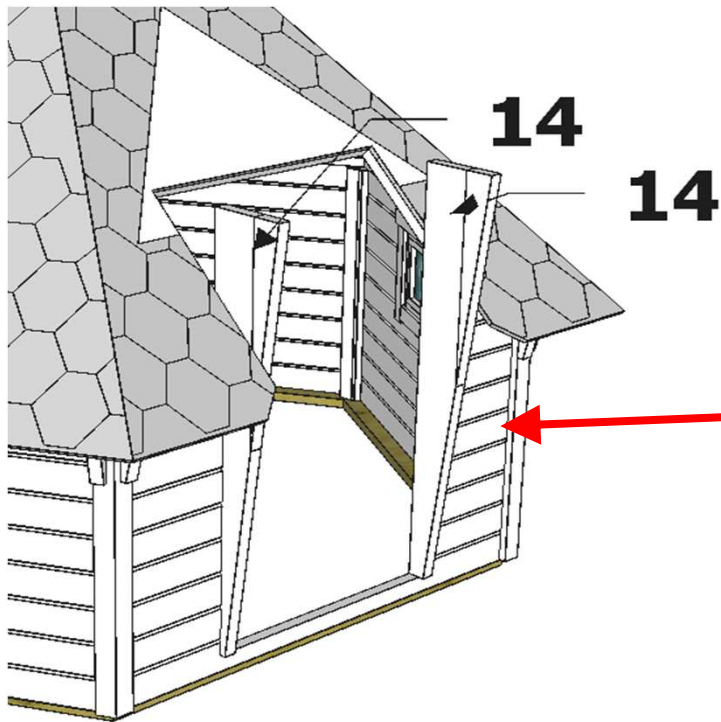
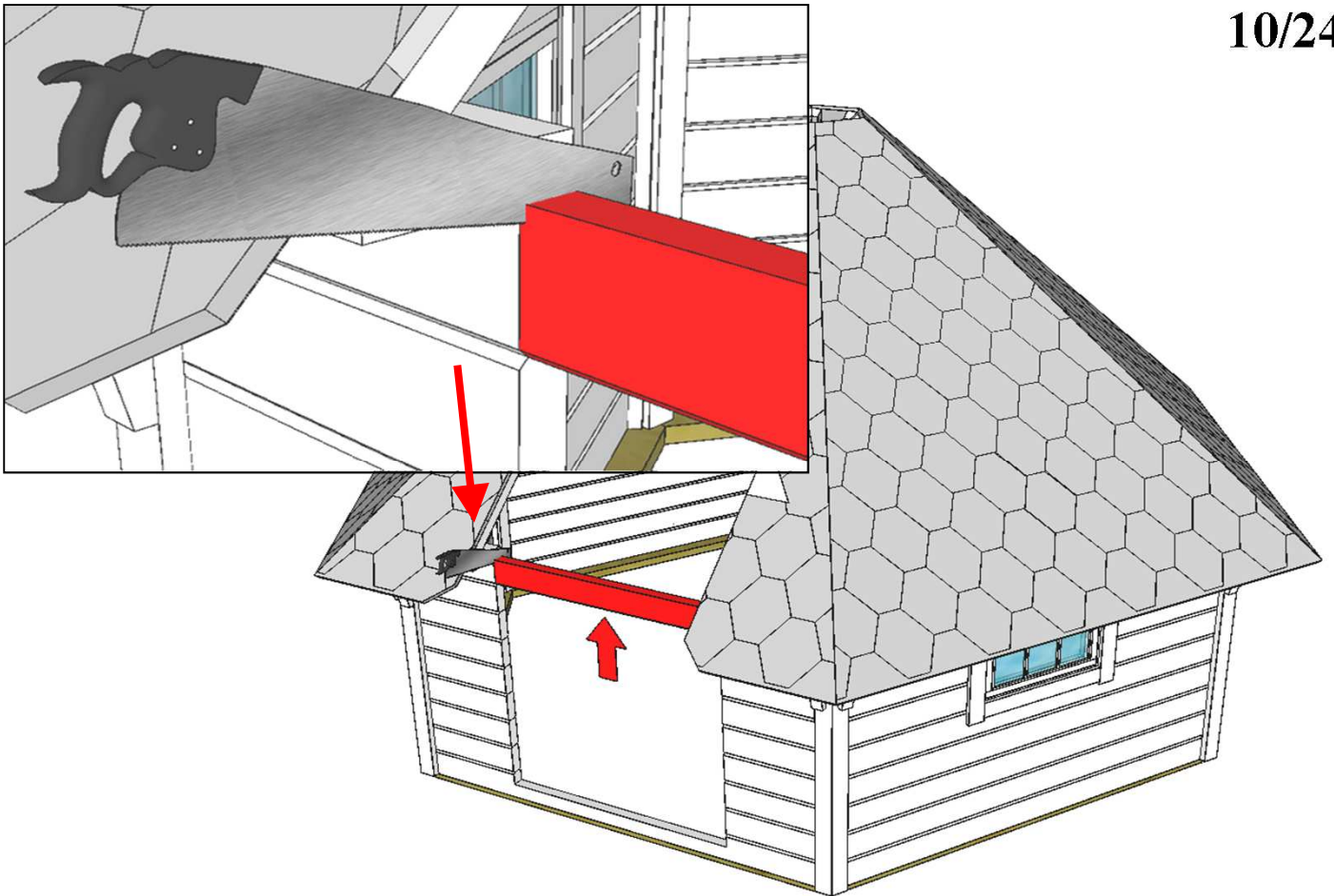


10	+	10a	4,5 x 70	24
10	+	10a	4,5 x 80	24
		7-8-9		

Grillkota 12 m2

Montageanleitung * Assembly instruction

10/24



+

14

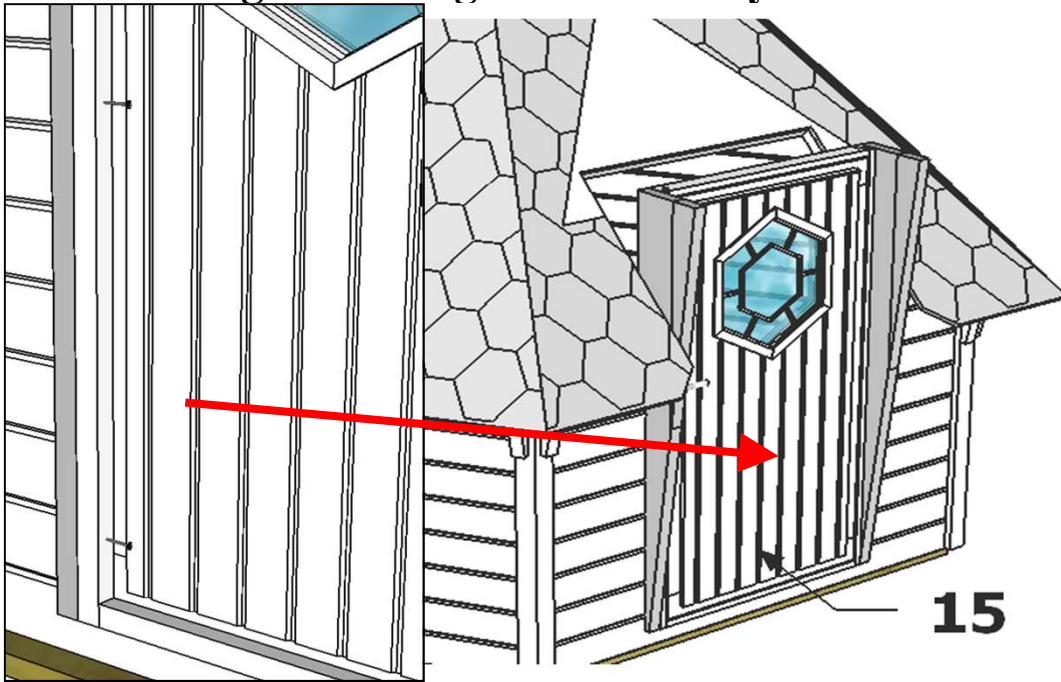
4,5 x 80

8

Grillkota 12 m2

Montageanleitung * Assembly instruction

11/24

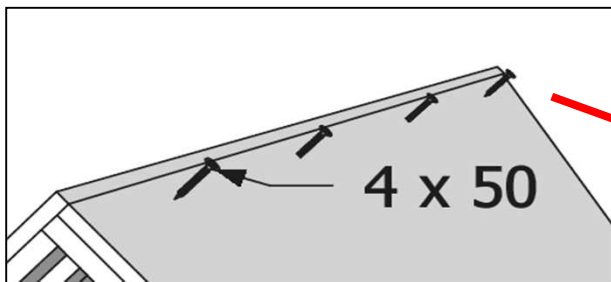


Ansicht von innen
View from the inside

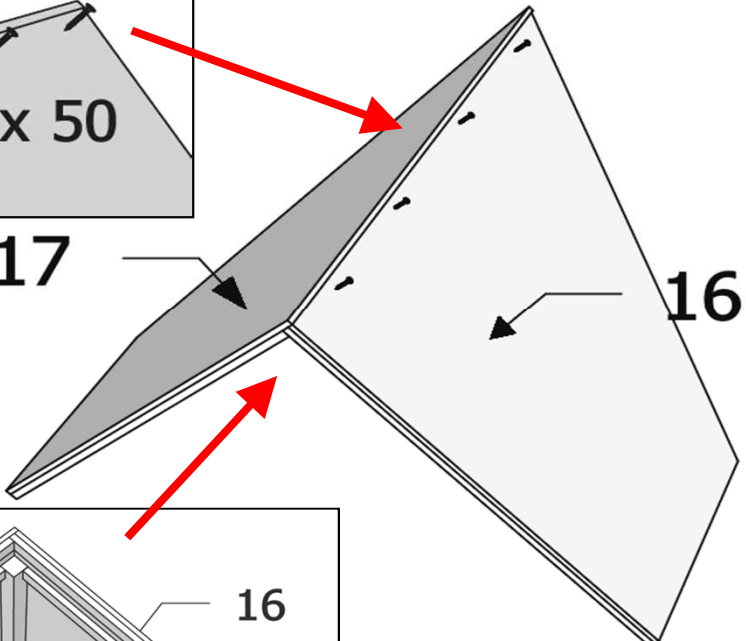
+

15

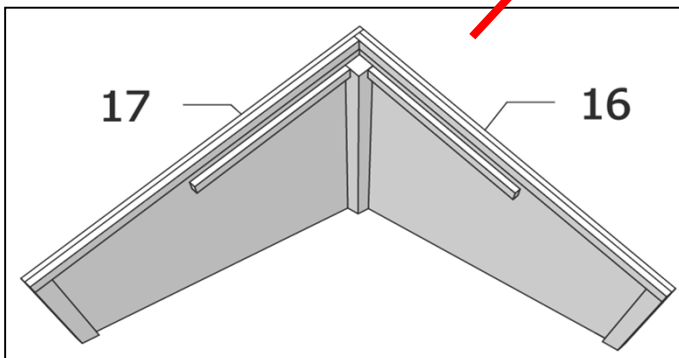
4 x 50	8
--------	---



17



16



17

16

16

+

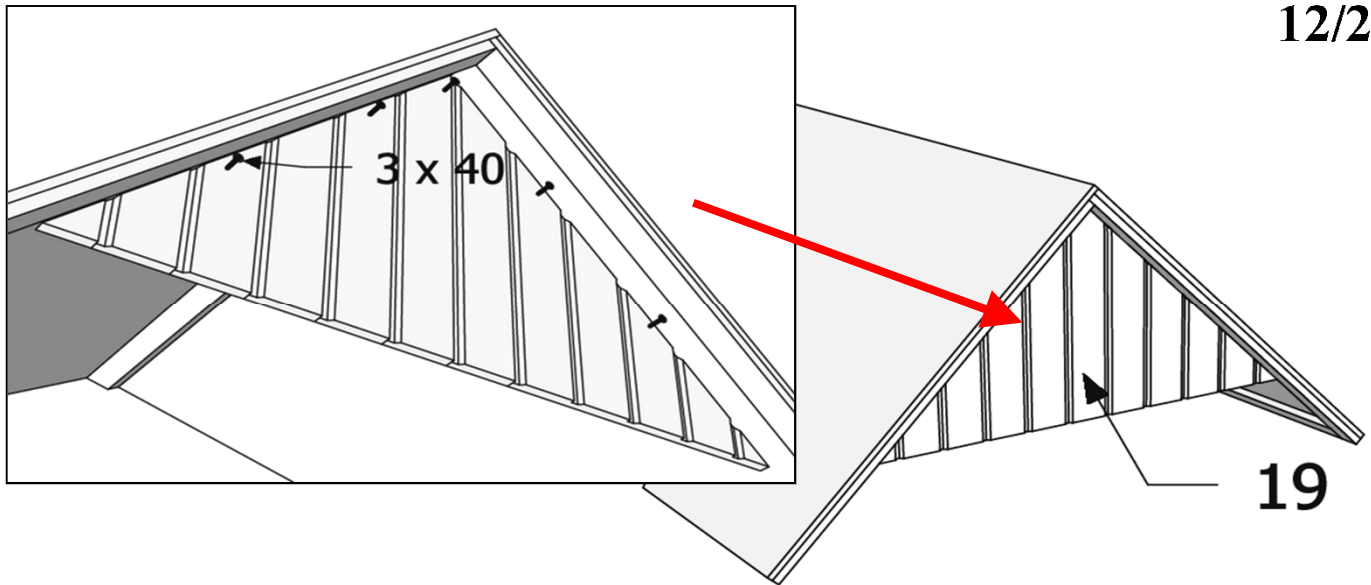
17

4 x 50	4
--------	---

Grillkota 12 m2

Montageanleitung * Assembly instruction

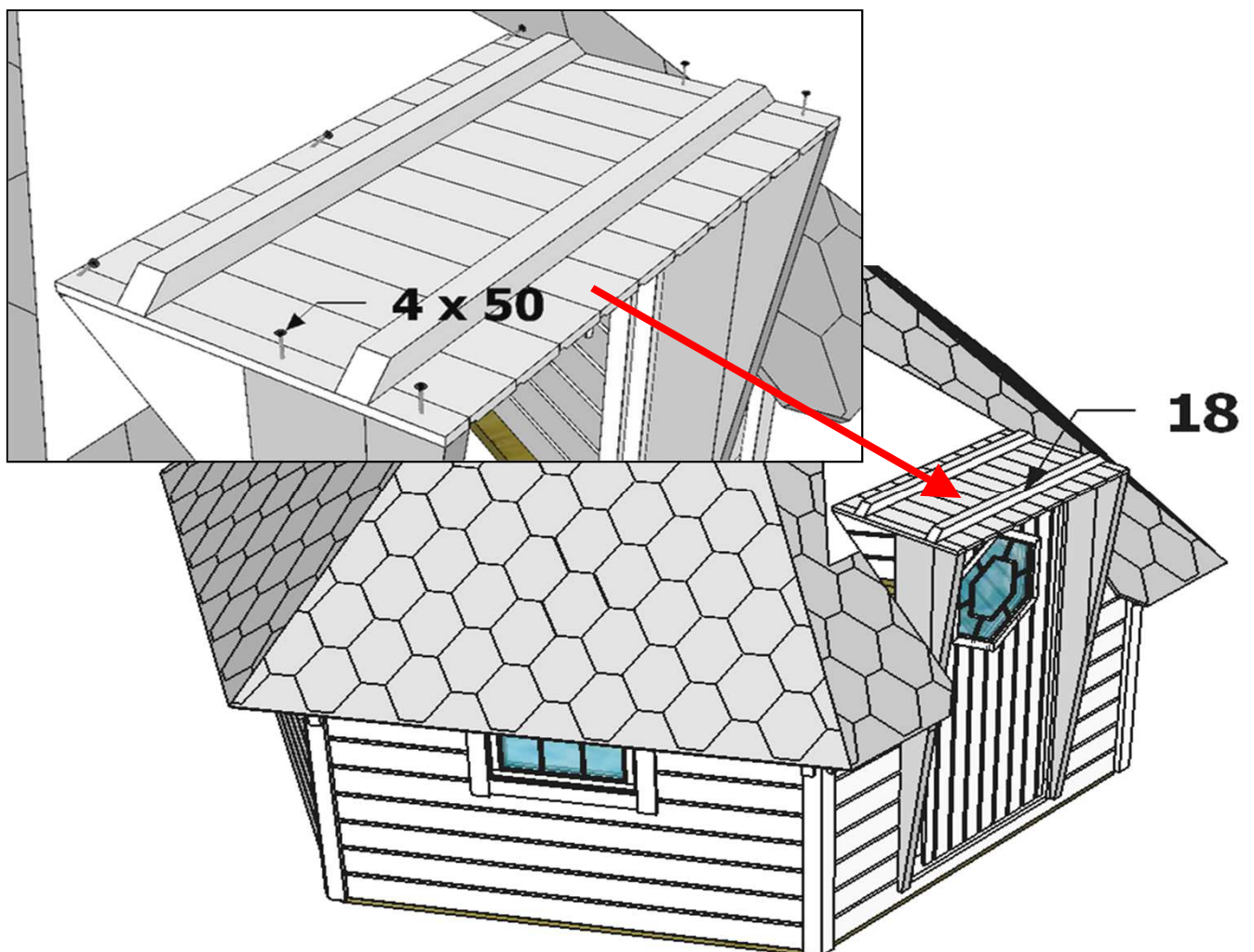
12/24



+ 19

3 x 40

5



+ 18

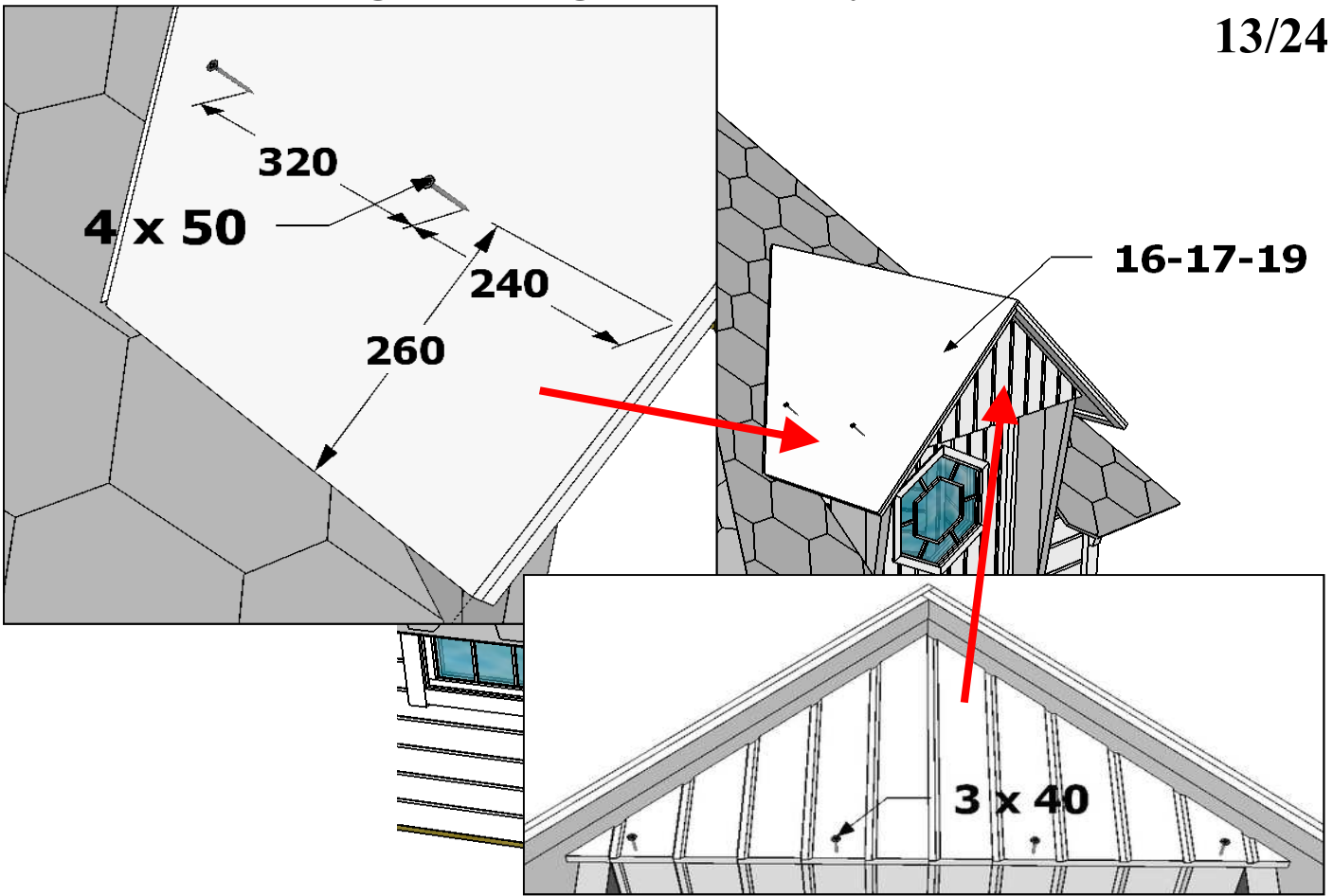
4 x 50

7

Grillkota 12 m2

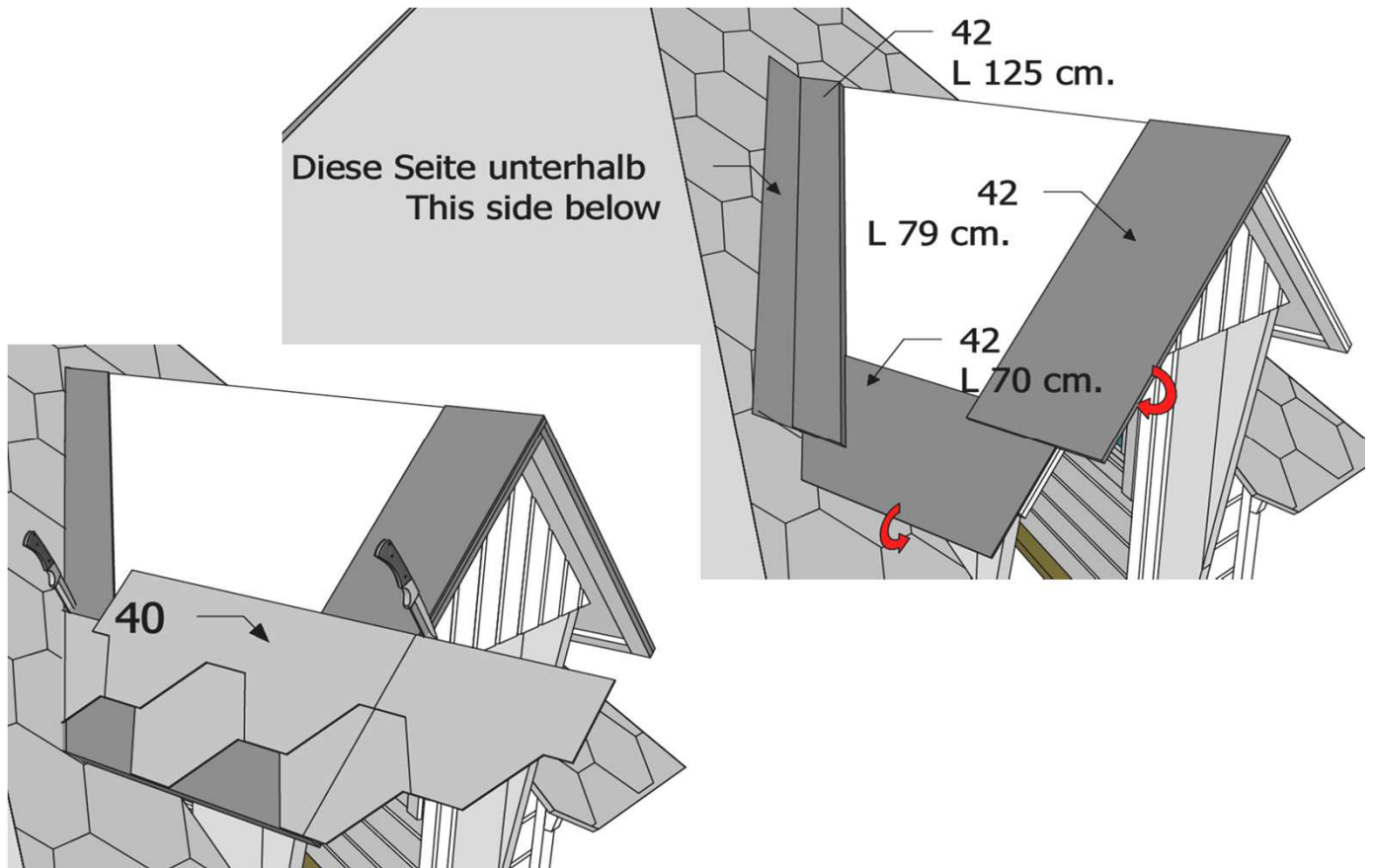
Montageanleitung * Assembly instruction

13/24



+ **16** **17** **19**

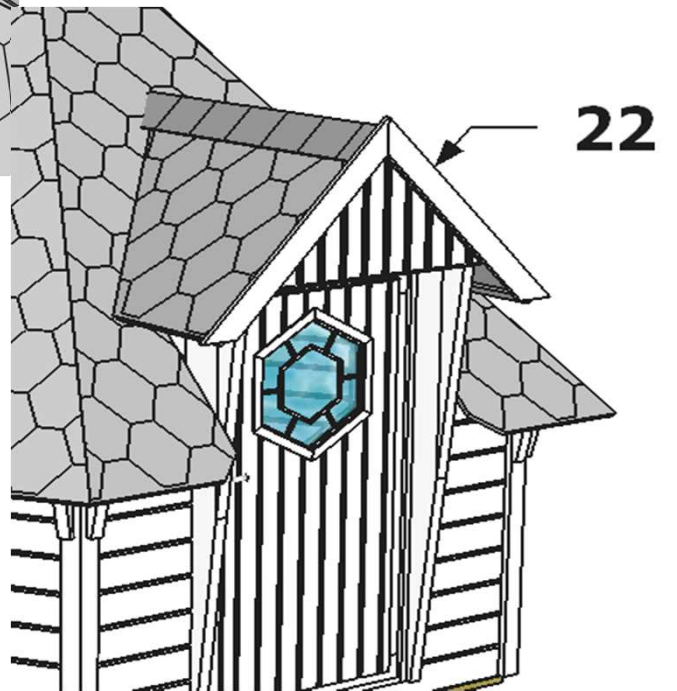
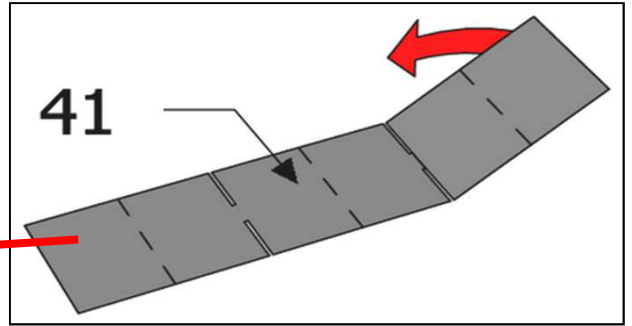
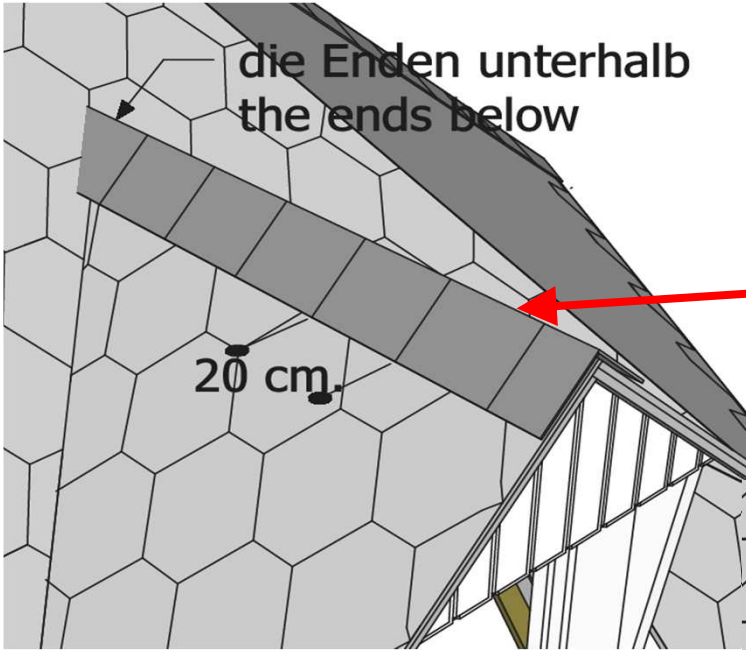
4 x 50	4
3 x 40	4



Grillkota 12 m2

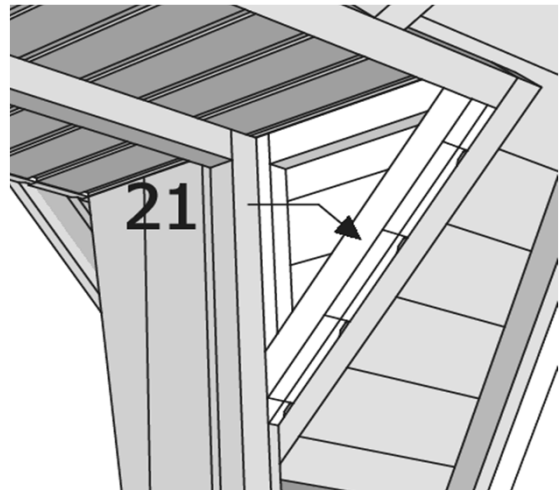
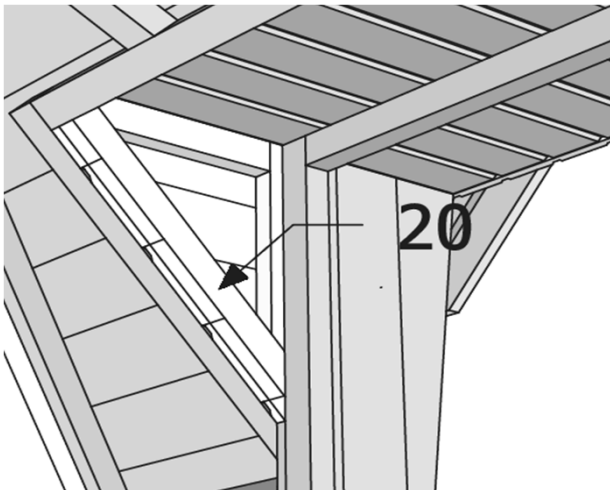
Montageanleitung * Assembly instruction

14/24



+ **22**

3 x 40	6
--------	---



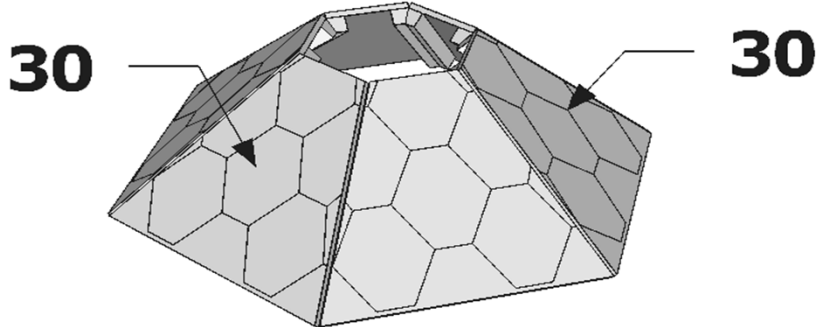
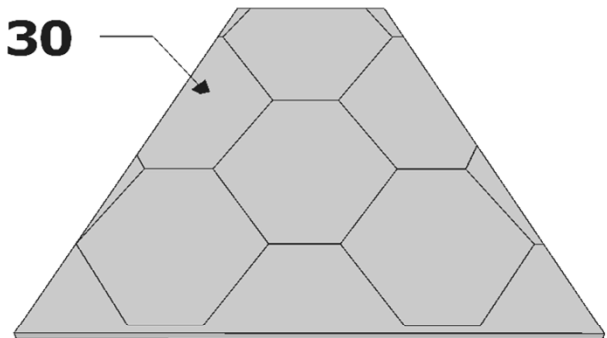
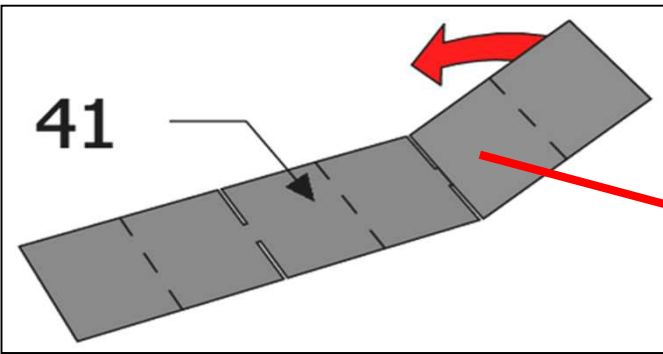
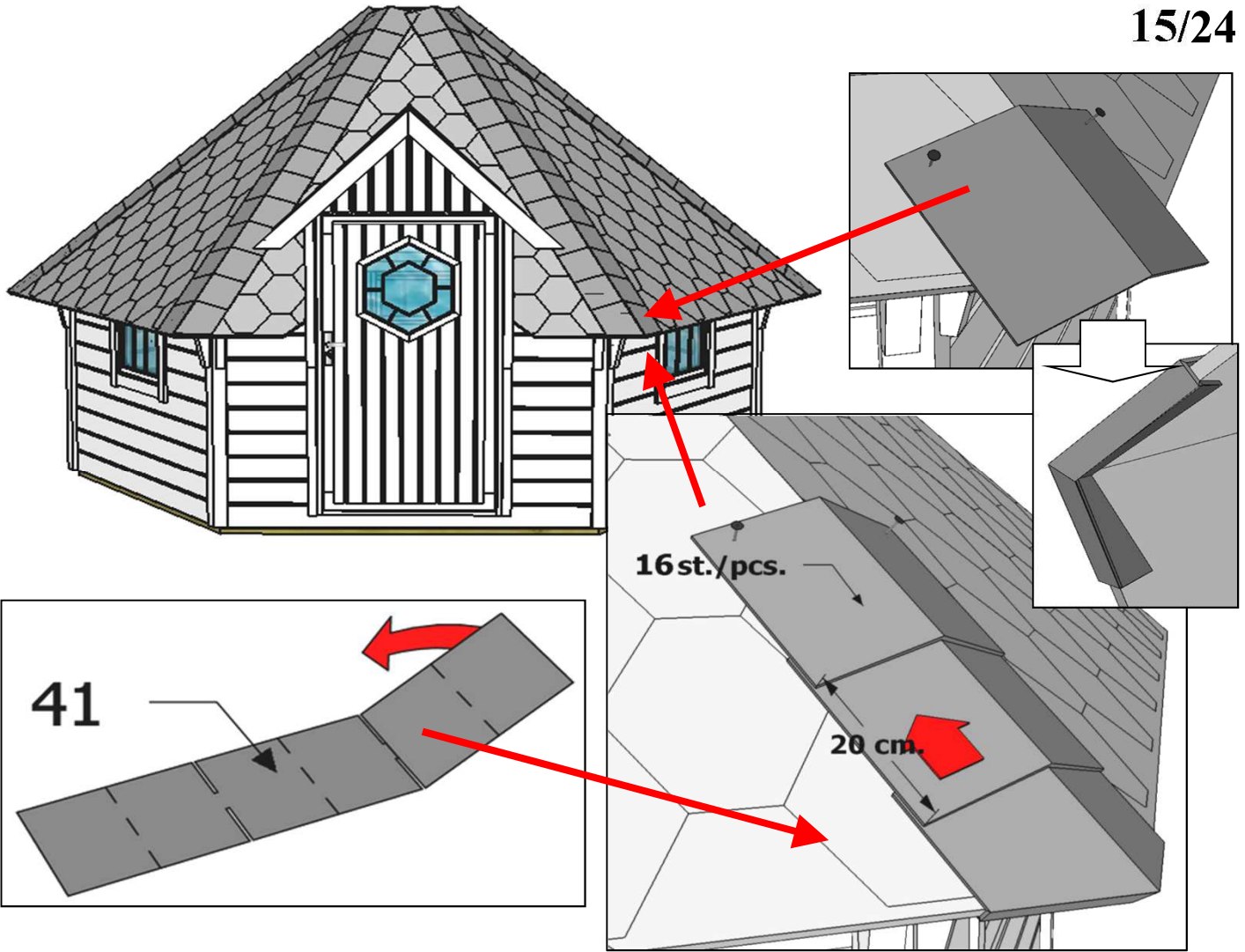
20 + **21**

4 x 70	8
--------	---

Grillkota 12 m2

Montageanleitung * Assembly instruction

15/24



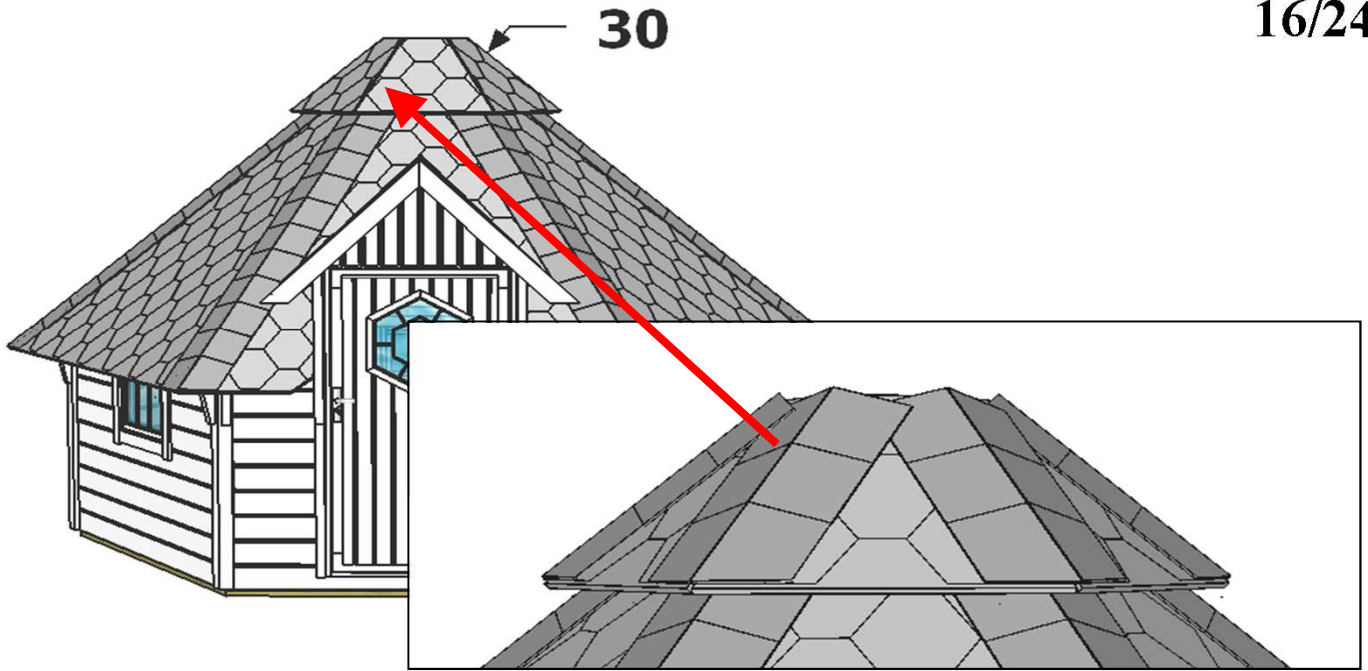
30 + **30**

4 x 70	12
---------------	-----------

Grillkota 12 m²

Montageanleitung * Assembly instruction

16/24

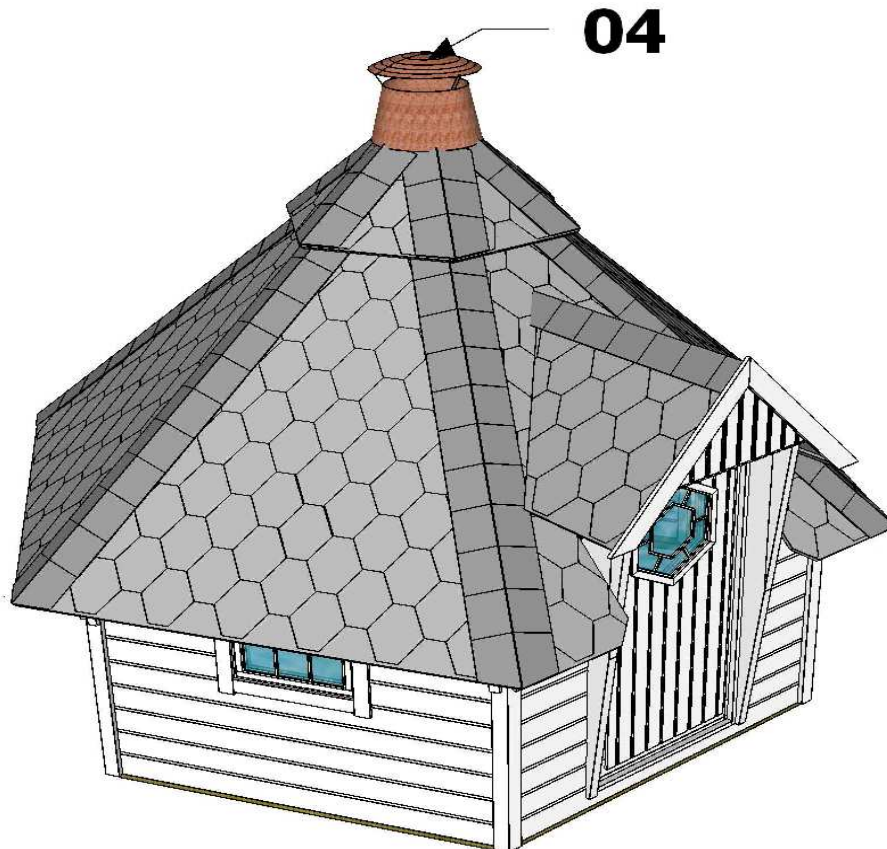


+

30

4,5 x 80

12



+

04

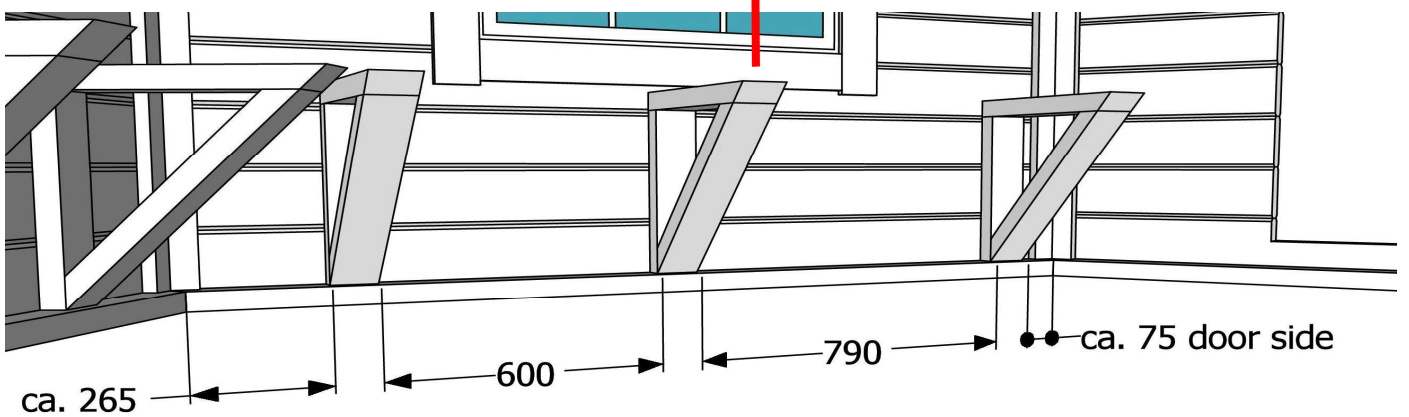
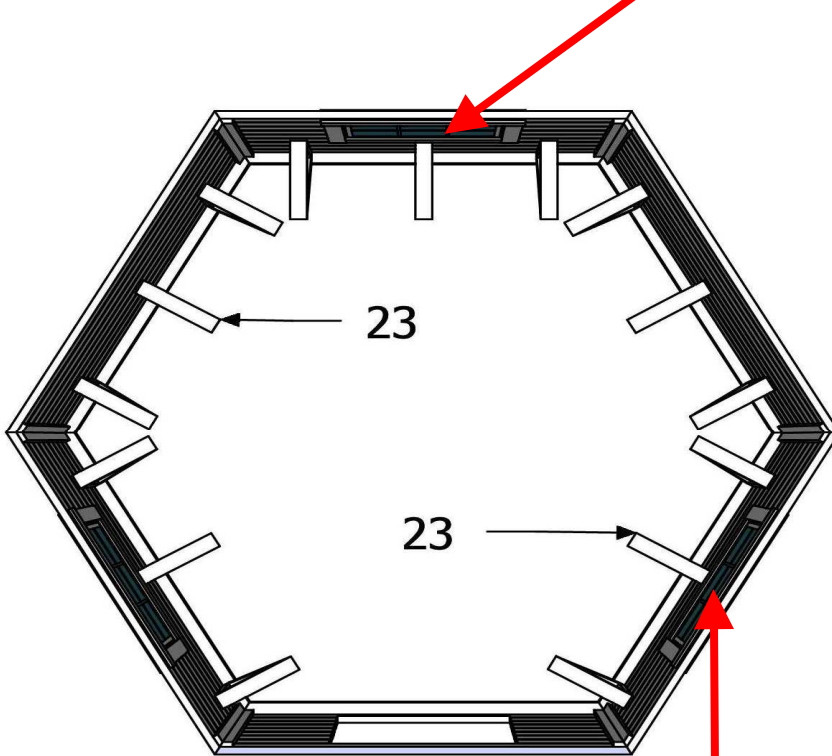
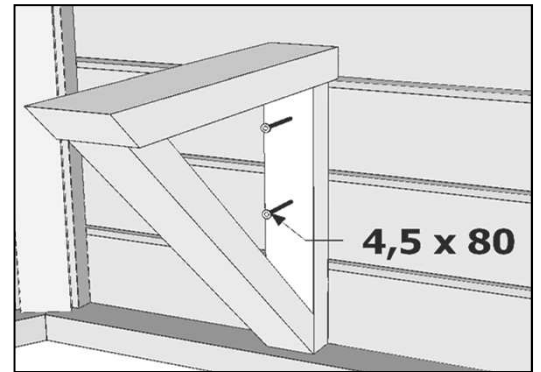
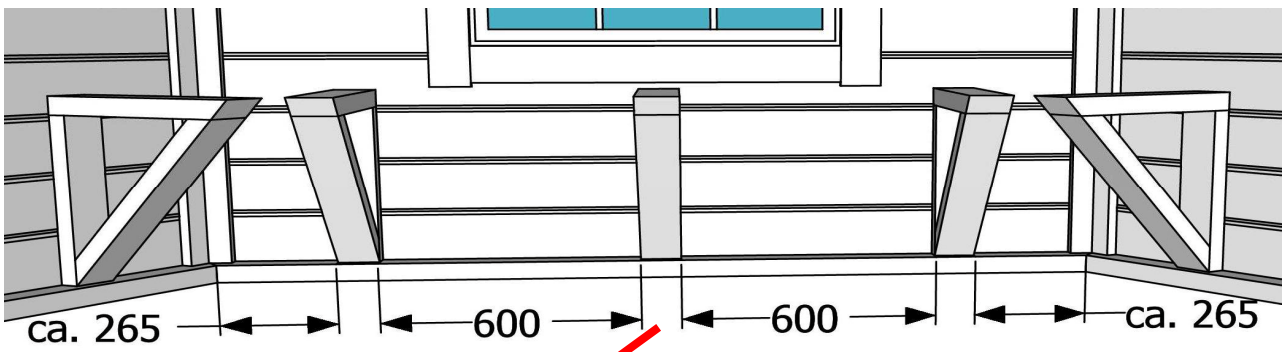
3 x 40

6

Grillkota 12 m²

Montageanleitung * Assembly instruction

17/24



+ 23

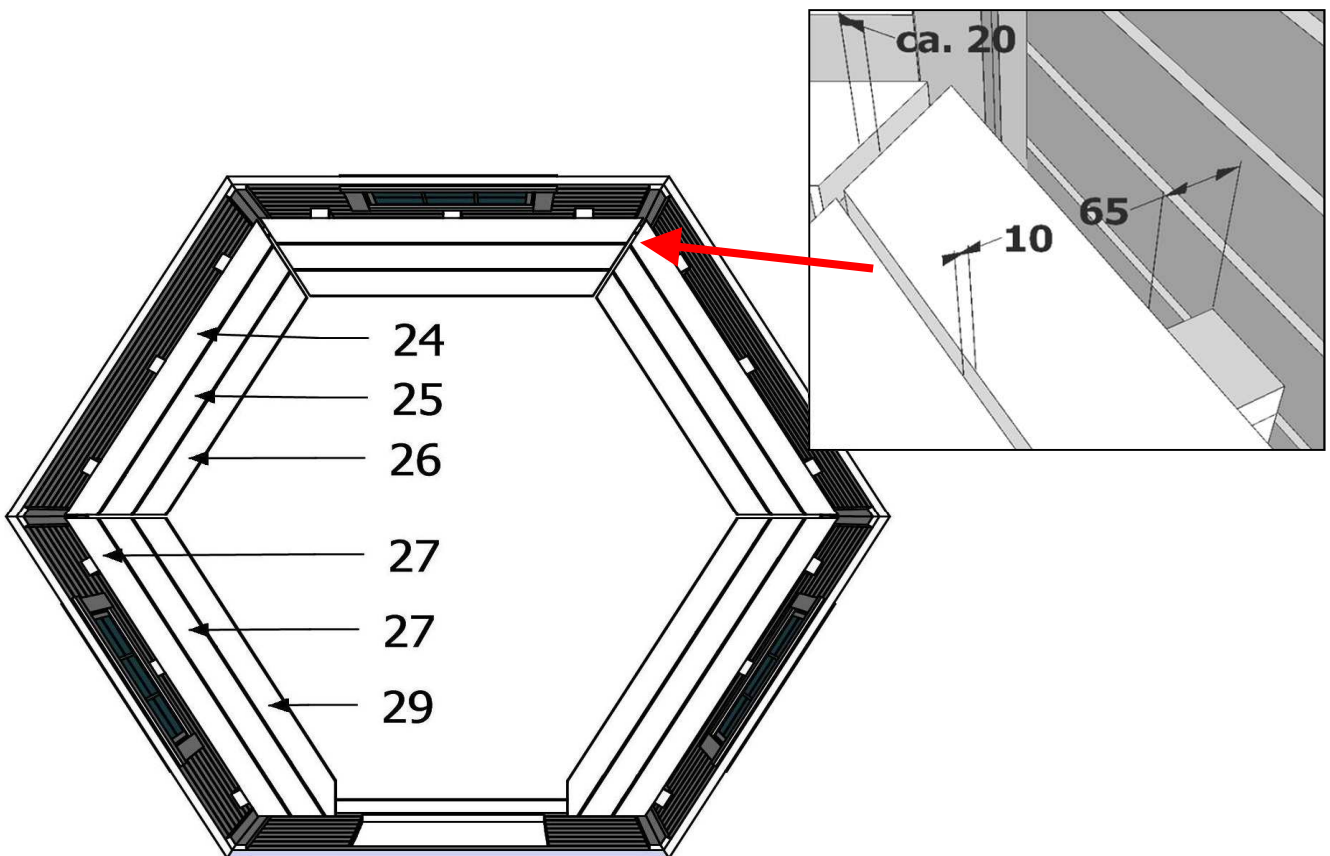
4 x 70

30

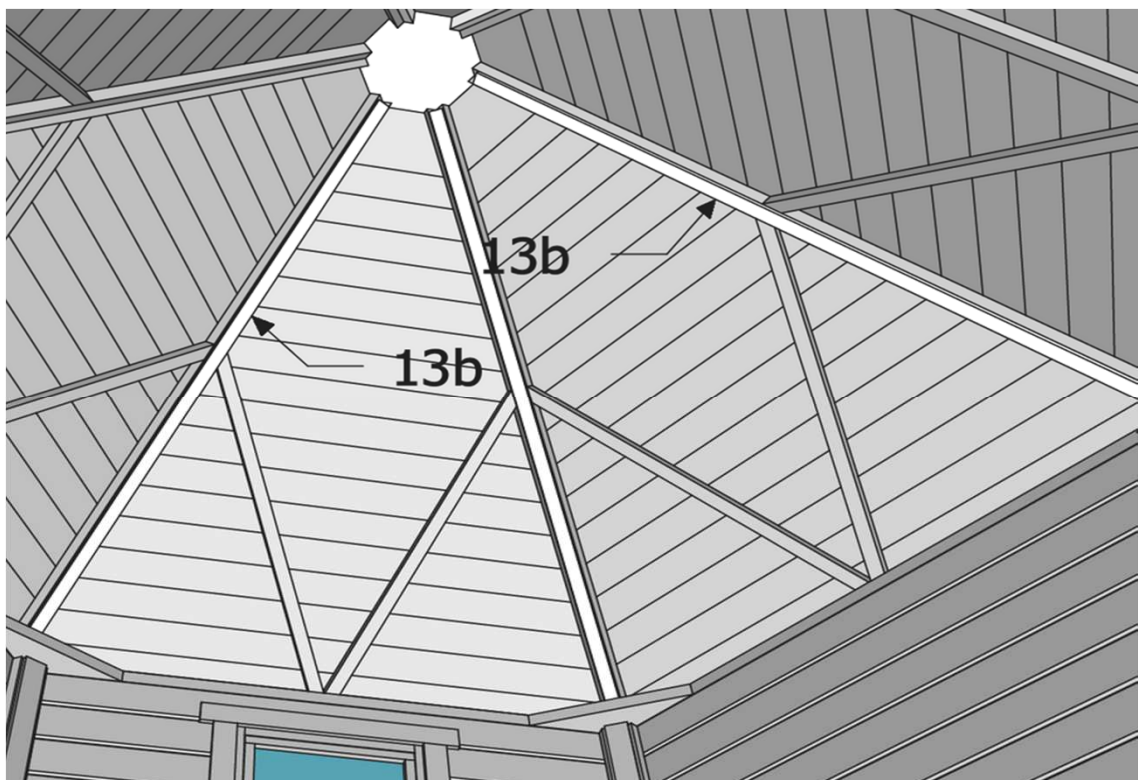
Grillkota 12 m2

Montageanleitung * Assembly instruction

18/24



+	24	25	26	27	28	29	4 x 70	60
---	----	----	----	----	----	----	--------	----

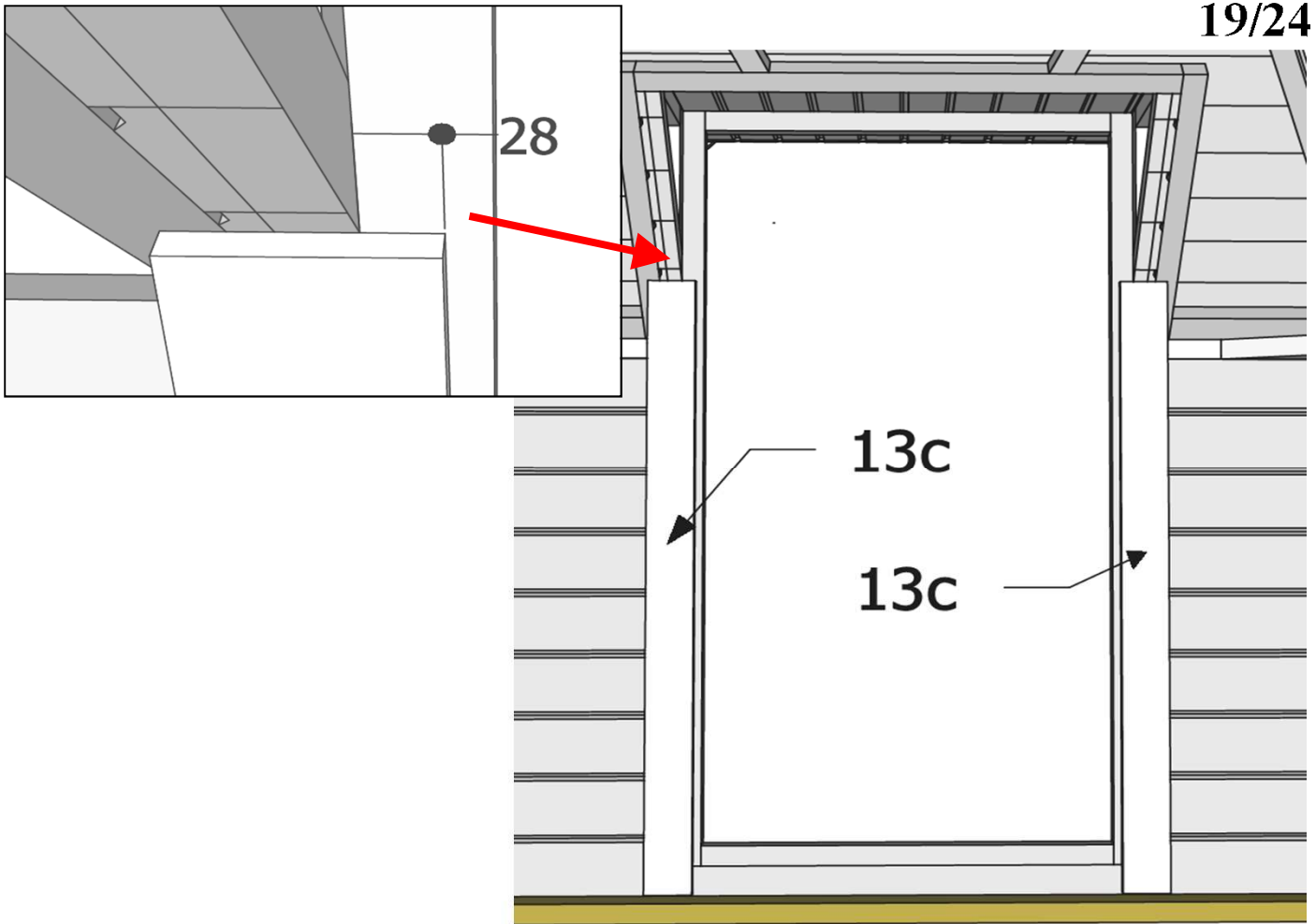


+	13b	3 x 40	24
---	-----	--------	----

Grillkota 12 m2

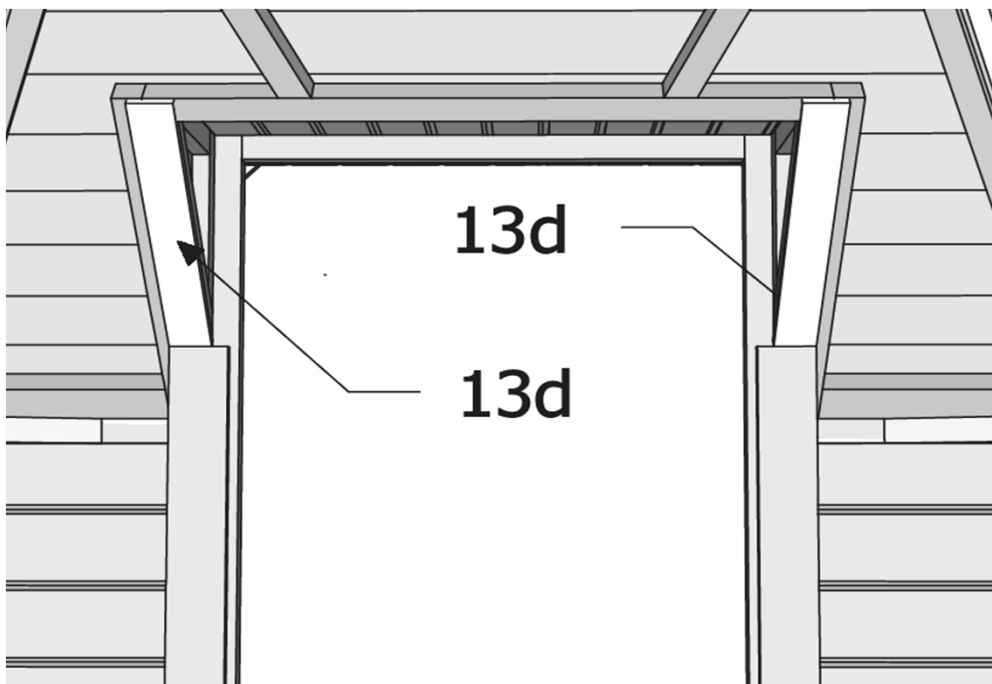
Montageanleitung * Assembly instruction

19/24



+ **13c**

3 x 40	6
--------	---



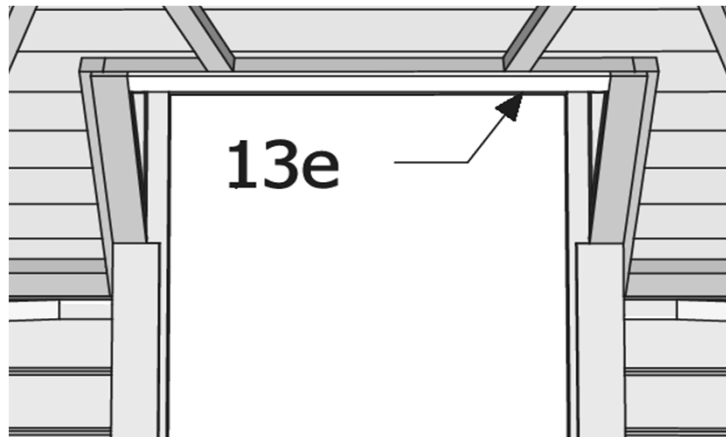
+ **13d**

3 x 40	6
--------	---

Grillkote 12 m²

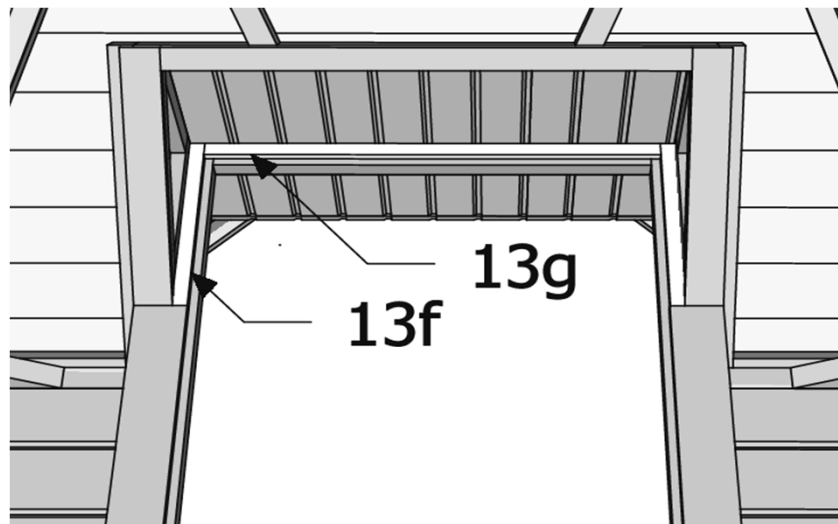
Montageanleitung * Assembly instruction

20/24



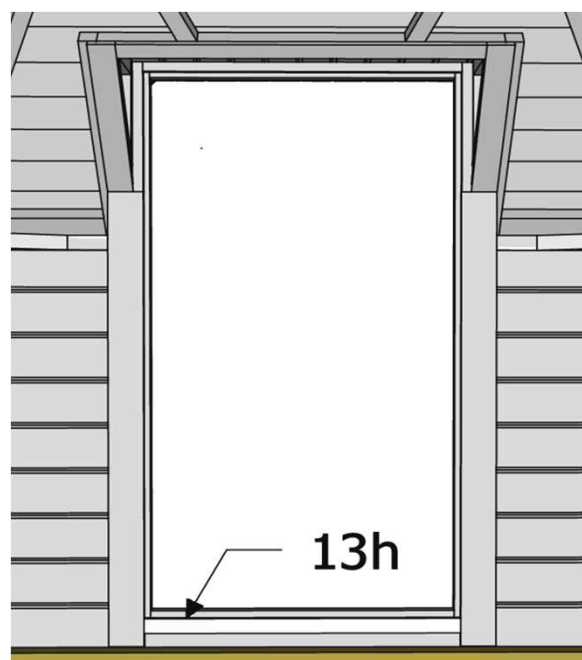
+ 13e

3 x 40	3
--------	---



+ 13f + 13g

3 x 40	8
--------	---



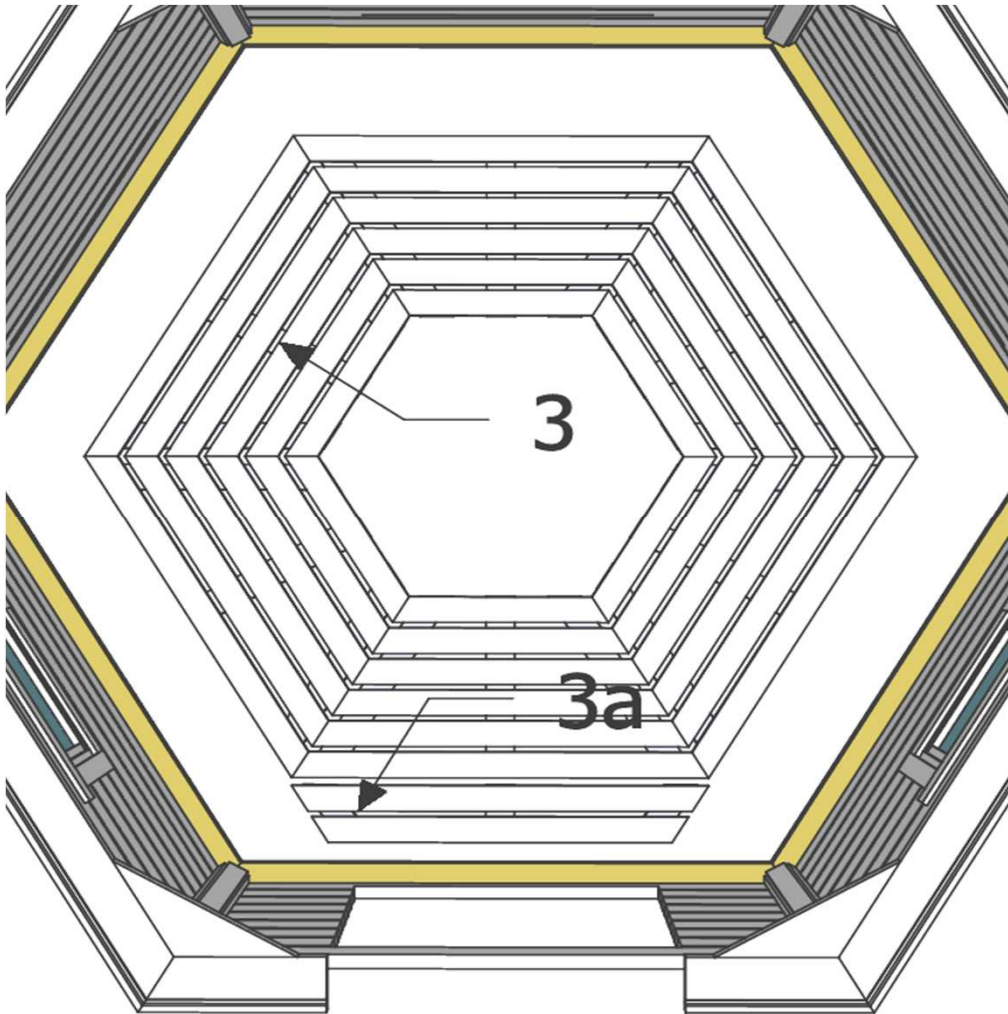
+ 13h

3 x 40	3
--------	---

Grillkota 12 m2

Montageanleitung * Assembly instruction

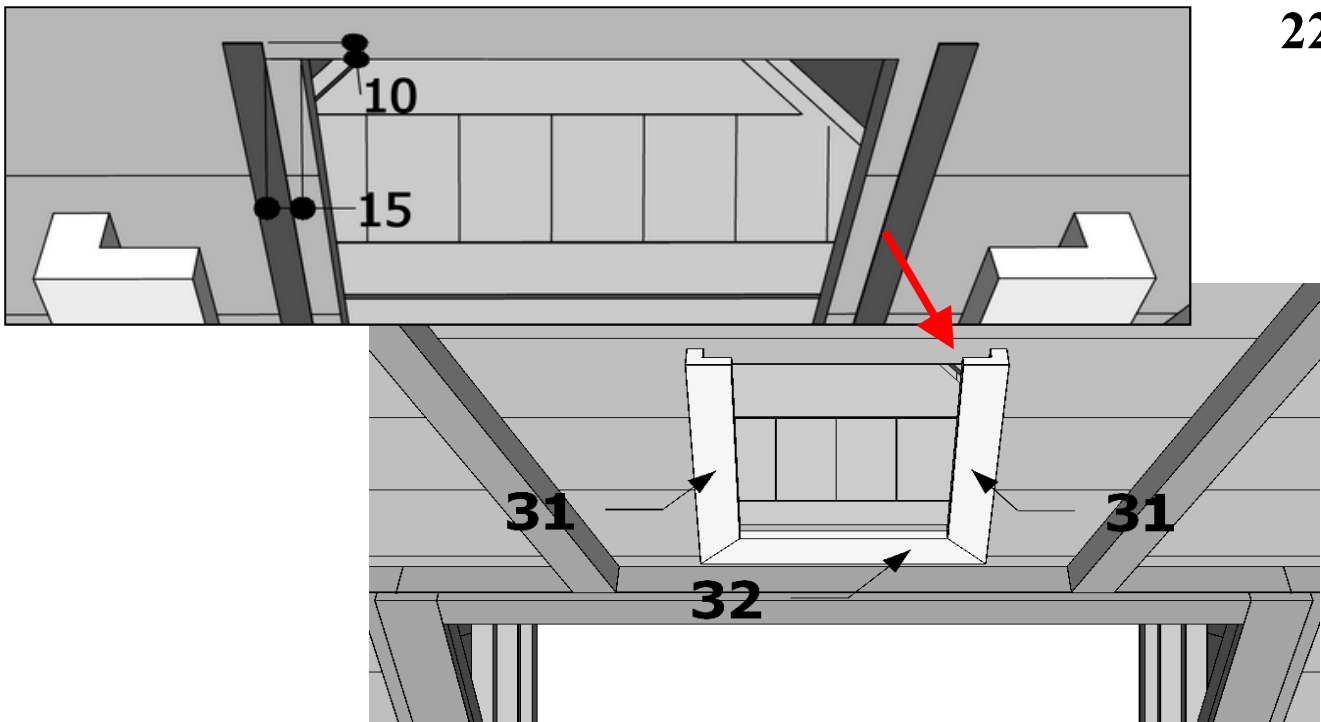
21/24



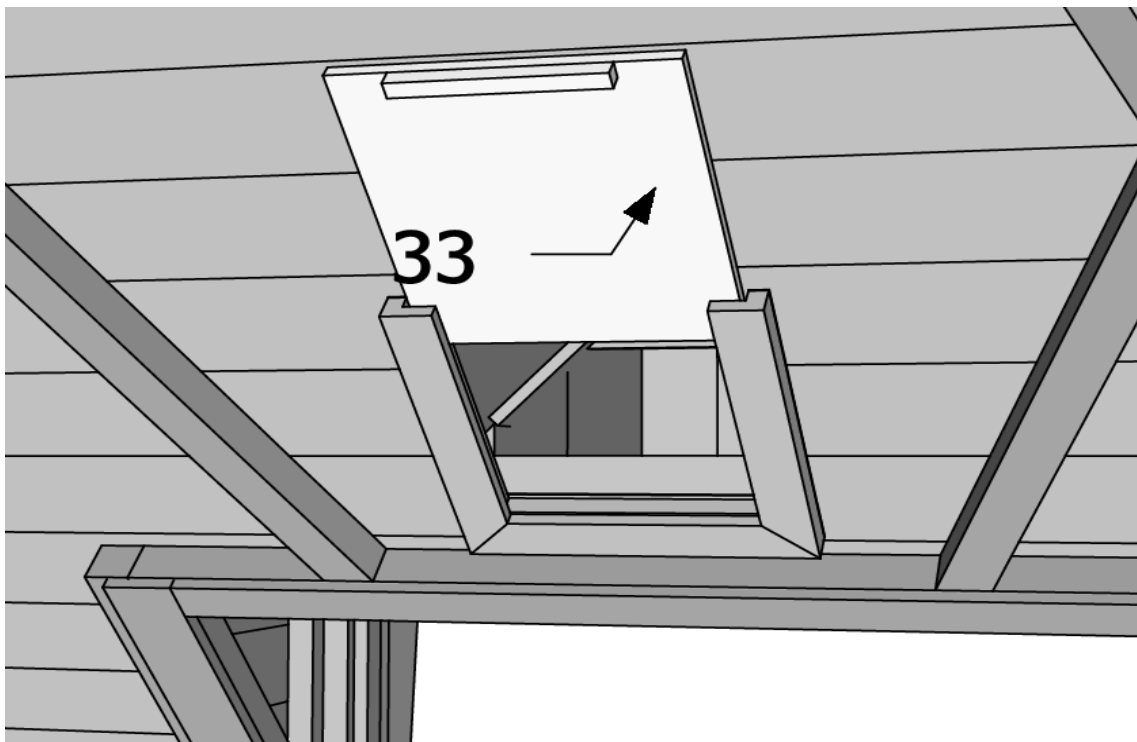
Grillkota 12 m2

Montageanleitung * Assembly instruction

22/24



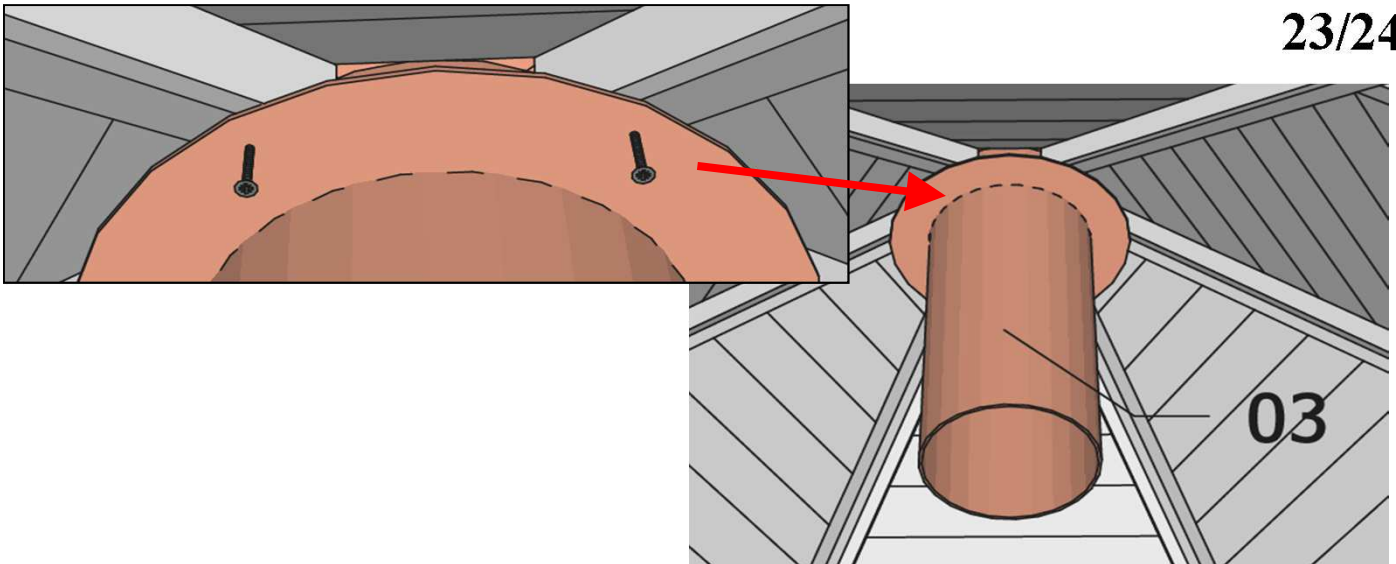
+	31	+	32	4,5 x 45	9
---	----	---	----	----------	---



Grillkota 12 m²

Montageanleitung * Assembly instruction

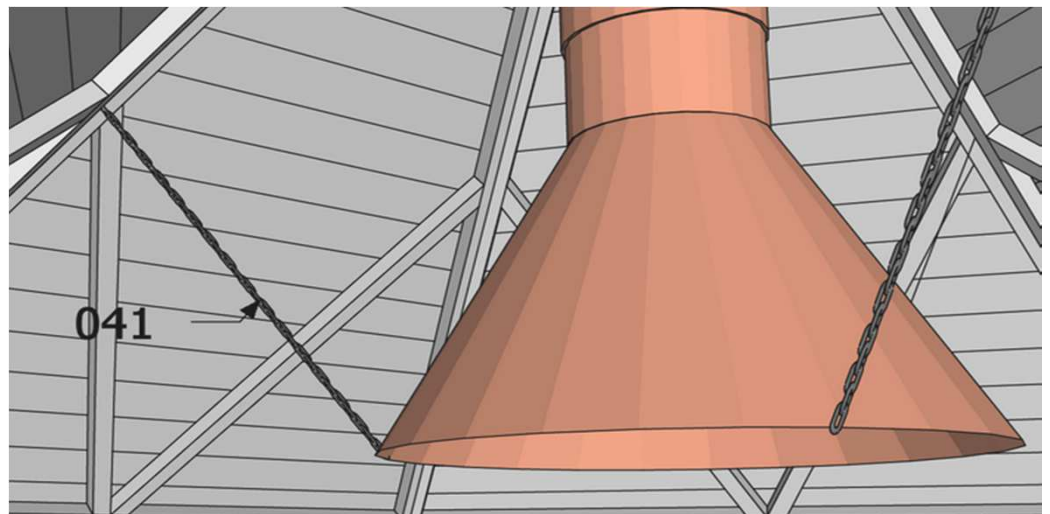
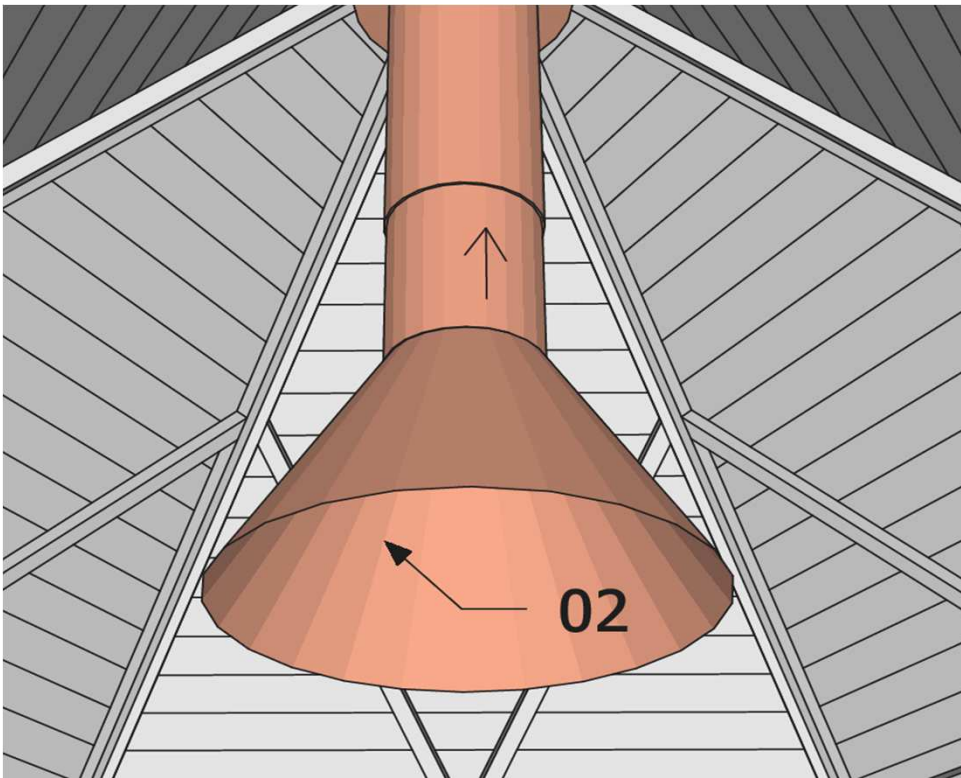
23/24



+ 03

4 x 50

6



Grillkota 12 m2

Montageanleitung * Assembly instruction

24/24

